

TIR3™ Series

TIR3 Super-LED®
Light Modules



RSA03ZCR, with optional chrome flange



RVR03ZCR, shown with black flange and vertical lens.



RSB03ZCR with optional black dual mount flange



TIR3 Series is the tiny three Super-LED module with a big attitude. Encapsulated, waterproof, low current, TIR3 Super-LEDs are tough as nails so they'll go to work for you anywhere on your vehicle, shrugging off moisture and road vibration.

Perfect for mounting in the grille, on side mirrors, on bumpers, over steps, on motorcycle boxes and fairing, on ATV's, forklifts and material-handling vehicles... wherever high intensity, wide angle warning is required.

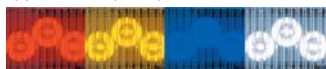


Mounted behind vehicle grille.



Mounted on vehicle tailgate.

Whelen Engineering reserves the right to upgrade and improve products without notice.



LED's Available in red, amber, blue & white

Form# TIR1004

FEATURES

- Highly effective TIR3™ Super-LED® surface mount module.
- Tiny size, dozens of applications.
- Super-LED tough, low current, vibration and moisture resistant.
- Stamped aluminum base.
- Black polycarbonate mounting flange, standard (single).
- 10 Scan-Lock™ flash patterns, plus steady-burn and synchronization wire for simultaneous or alternating TIR3 lighthead or other modules with similar synchronization capability.
- Available in four safety colors.
- Five year warranty.

MODELS

RS*03ZCR: Horizontal mount.

RV*03ZCR: Vertical mount.

OPTIONS

RFLANGEC: Chrome plated polycarbonate mounting flange.

RFLANGEA: Cast aluminum brush guard mounting flange.

RFLANG2B: Black polycarbonate, dual surface mount flange for two lighthead.

RFLANG2C: Chrome polycarbonate, dual surface mount flange for two lighthead.

RBKT1 - Aluminum Grille mount bracket for one RS lighthead (not for use with RV series).

RBKT2 - Aluminum Grille mount bracket for two RS lighthead (not for use with RV Series).

Harley-Davidson® Motorcycle Stainless Steel Mounting Bracket Kits

(Includes chrome flange)

RBKTHD1: Side windshield bracket, for use with one RV series.

RBKTHD2: Side (saddle bag) crash Bar Bracket, for use with RS Series.

RBKTHD3: Rear (Saddle Bag) Crash Bar Bracket, for use with two RS series.

RBKTHD4L: Under radio box bracket road side, for use with one RS series.

RBKTHD4R: Under radio box bracket curb side, for use with one RS series.

RBKTHD5: Under headlight bracket, for use with one RS series.

* Replace asterisks in model number with LED color desired:

A = Amber; B = Blue; C = Clear/White; R = Red.



Designed & Manufactured in the U.S.A.

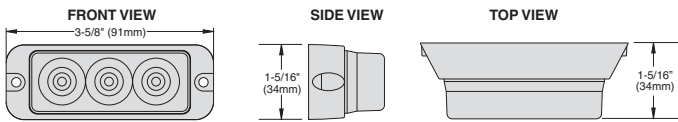
WHELEN®

ENGINEERING COMPANY, INC.

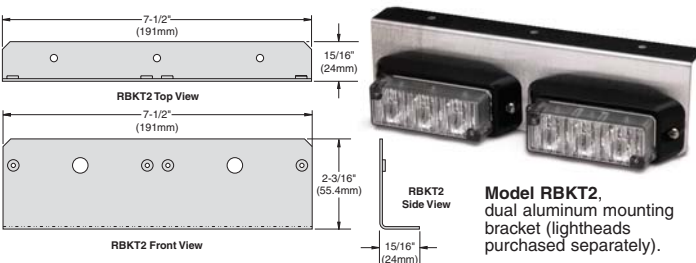
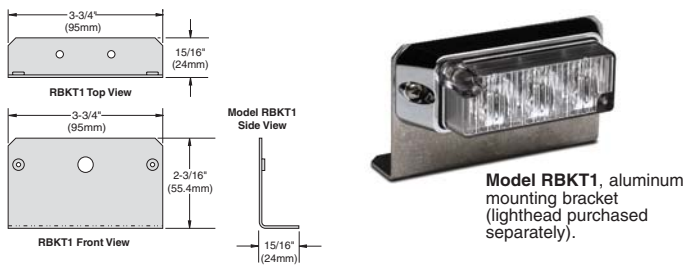
Route 145, Winthrop Road
Chester, Connecticut 06412-0684
(860) 526-9504 • Fax: (860) 526-4078
www.whelen.com

TIR3™ SERIES - Super-LED® LIGHT MODULES

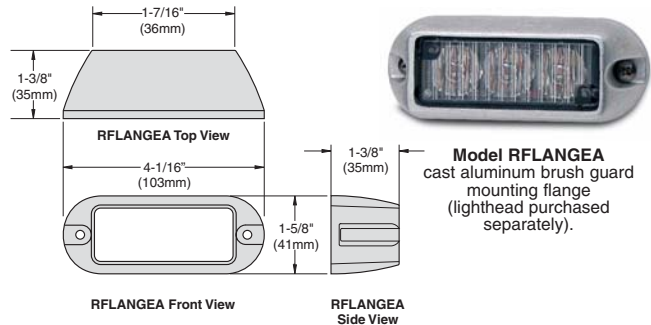
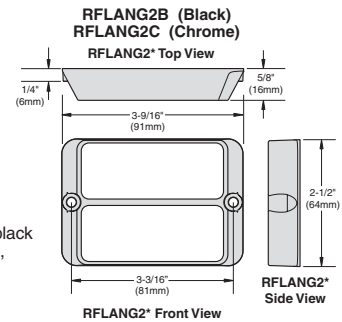
TIR3™ DIMENSIONS (With standard black mounting flange)



TIR3™ MOUNTING OPTIONS AND DIMENSIONS



Model RFLANG2* polycarbonate mounting flange in chrome (above) or black polycarbonate (shown on opposite side, dual lighthoods purchased separately).



SPECIFICATIONS

390mA @ 13.6 VDC

FLASH PATTERNS

Scan-Lock™ - TIR3 lighthoods have a special set of flash patterns, with each pattern available in two modes; Phase 1 and Phase 2. The patterns are changed with the WHT/VIO wire. All lighthoods configured to display the Phase 1 mode of a given pattern will flash simultaneously. Any lighthoods configured to display the Phase 2 mode of a pattern, will alternate with any Phase 1 lighthoods with the same pattern.

Sync - Two lighthoods (or more) can be synchronized, (configure both lighthoods to display the same Phase 1 or Phase 2 pattern in the same simultaneous or alternating mode).

Ten TIR3 Scan-Lock™ Flash Patterns, Plus Steady Burn

PATTERN	MODE
SignalAlert™	Phase 1
SignalAlert™	Phase 2
CometFlash®	Phase 1
CometFlash®	Phase 2
DoubleFlash	Phase 1
DoubleFlash	Phase 2
SingleFlash	Phase 1
SingleFlash	Phase 2
ComAlert™	Phase 1
ComAlert™	Phase 2
Steady	steady-burn

TIR3™ OPTIONAL STAINLESS STEEL MOUNTS for HARLEY-DAVIDSON® MOTORCYCLES

Model RBKTHD1, (right) TIR3 Harley Side Windshield Mounting Bracket Kit, for use with one RV TIR3 lighthouse. Model includes RFLANGEC, shown mounted on motorcycle windshield.

Dimensions:

7-5/8" (194mm) L x
1-1/4" (33mm) H x
5/8" (16mm) D



Model RBKTHD4L, Harley Under Radio Box Bracket, for use with One RS TIR3, Road Side. Model includes RFLANGEC, shown mounted on motorcycle rear bumper bracket.

Model RBKTHD4R, Harley Under Radio Box Bracket, for use with One RS TIR3, Curb Side. Model includes RFLANGEC.

Dimensions (both): 7-9/16" (192mm) L x 1-1/16" (27mm) H x 1.5" (39mm) D



Model RBKTHD2 (above), TIR3 Harley Side (Saddle Bag) Crash Bar Bracket, for use with Two RS TIR3. Model includes RFLANGEC, shown mounted on motorcycle low side saddle bumper bars.

Dimensions: 3-11/16" (93mm) L x 3" (77mm) H x 5/8" (16mm) D.



Model RBKTHD3 (above), TIR3 Harley Rear (Saddle Bag) Crash Bar Bracket, for use with Two RS TIR3. Model includes RFLANGEC, shown mounted below motorcycle rear carrier.

Dimensions: 3-3/4" (95mm) L x 3-11/16" (33mm) H x 1-3/4" (44mm) D



Model RBKTHD5, Under Harley Headlight Bracket, for use with one RS TIR3. Model includes RFLANGEC and is shown mounted below motorcycle front headlight.

Dimensions:

2-1/2" (64mm) L x
2-1/4" (57mm) H x
1-5/16" (33mm) D

Harley-Davidson® is a registered trademark of H-D Michigan, Inc.

WHELEN®
ENGINEERING COMPANY, INC.

Route 145, Winthrop Road
Chester, Connecticut 06412-0684
(860) 526-9504 • Fax: (860) 526-4078
Internet: www.whelen.com



Whelen Engineering reserves the right to upgrade and improve products without notice.

© 2004 Whelen Engineering Company, Inc.
Form No.11499E-1004