

Halogen and LED Flashers

HEADLIGHT, GRILLE LIGHT & SYSTEM FLASHERS



These Halogen and LED flashers are designed for heavy-duty long-life operation.

Whether you require a complete certified ambulance system or headlight flashers for your vehicle, Whelen can provide you with the reliable solid-state products you require.

FLASHERS

- **AF6012**, Two outlet (post), one wire design universal halogen flasher. 720 watts (360 per outlet), Twelve 60 watt halogen lamps maximum. Designed for use in applications not requiring KKK-1822E certification. Ideal for fire and rescue vehicles.
- **AF6016**, 16 outlet certified ambulance flasher, 60 watts per outlet, 16 individually fused outlets, two wire connection to each lighthouse. Meets all ambulance specifications including KKK-1822E, SAE and California Title XIII. Totally short, reverse polarity and overload protected. Meets NFPA 1901.

- **AF6016A**, Economical, four post, one wire design for chassis ground, certified KKK-1822E alternative to AF6016 and has 270 watts per outlet. Meets NFPA 1901.
- **New! ULF28**, Eight outlet, two channel LED flasher with 5 Scan-Lock™ flash patterns, four patterns have Phase1 and Phase2 for alternate or simultaneous flashing LED lighthoods.
- **UFM8**, Eight outlet solid-state, Universal® Halogen/LED flasher, 60 watts per outlet. Selective switching system (2x2x2x2 switching) separately controls the operation of each pair. Seventeen selectable flash patterns including a Traffic Advisor™ pattern.
- **3TERM**, Economical, two 20 amp outlet, three terminal, 240 watts per outlet flasher. Simultaneous or alternate flashing lights.

HEADLIGHT & TAILLIGHT FLASHERS

- **New! UBF5150B**, 2003 Chevy Impala police package taillight flasher, with quick disconnect plugs with 4 flash patterns. Includes mating connectors with 18" pigtail.
- **New! IBF5150B**, 2004 Dodge Intrepid police package taillight flasher, with quick disconnect plugs.
- **SSF2150**, 100% solid-state two outlet Headlight/Grille light flasher, 162 watts per outlet, for positive switching headlights, extruded aluminum housing. Fully encapsulated and waterproof.

- **UHF2150A / UHF2150B**, Two outlet, 162 watts per outlet Headlight/Grille light flasher in a compact molded polycarbonate housing with external mounting flanges. For use on positive or negative headlight switching. Solid-state controlled relay output. Four flash patterns. UHF2150B is for 2002-03 Chevy Impala police package only.
- **UHFPOS & UHFPOSC** same specifications as UHF2150A except positive switching headlights only, UHFPOSC, includes mating connectors with 18" pigtail and the Bi-Pass connect used when installing headlight flasher. Both have 4 flash patterns.
- **UHFGND & UHFGNDC**, Same specs as UHFPOS & UHFPOSC except negative switching headlights only.

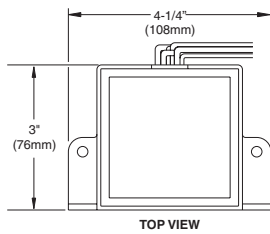
LED LIGHTHEAD OPTIONS

- **LEDLOAD**, In-line "Load" Resistor Kit to Interface with OEM Turn Signal Circuit.
- **52TRUNKT**, Trunk warning light installation kit for 2-500 Series LED lighthoods (purchased separately) for Crown Vic, Explorer and Expedition.

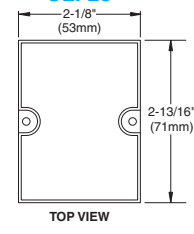
HALOGEN FLASHERS SPECIFICATIONS

UHF2150A / UHF2150B* UBF5150B / IBF5150 UHFPOS (C) / UHFGND (C)

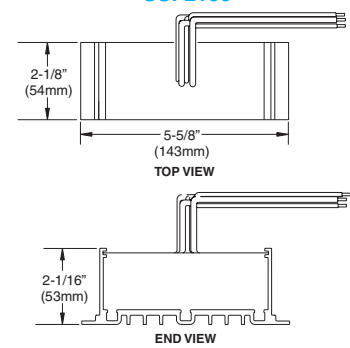
*UHF2150B is attached to a 8-1/8" H x 1-1/4" W x 1-1/8" D mounting bracket (see photo in front).



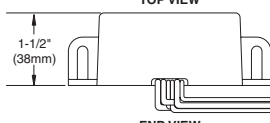
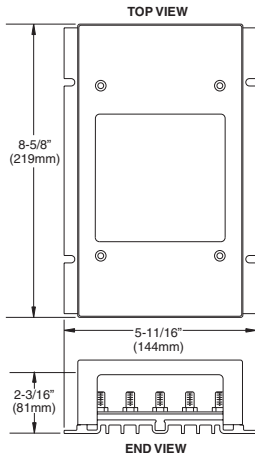
ULF28



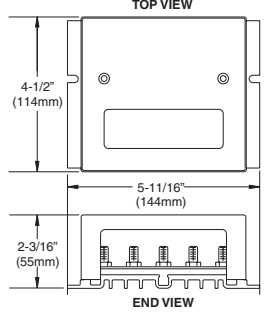
SSF2150



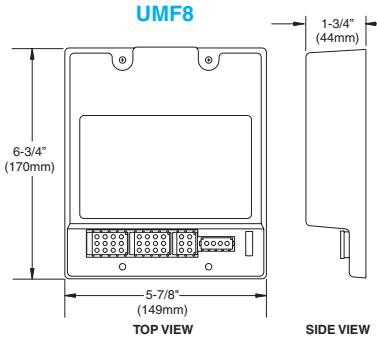
AF6016 / AF6016A



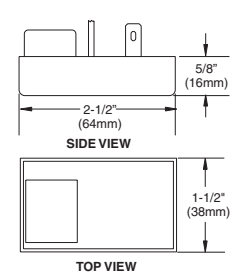
AF6012



UMF8



3TERM



MODELS	UHF2150A, UHF2150B, UHFPOS(C), UHFGND(C)	SSF2150	UMF8	AF6012	AF6016	AF6016A	3TERM	ULF28	UBF5150B, IBF5150
Construction	Solid State Control	100% Solid State	100% Solid State	100% Solid State	100% Solid State	100% Solid State	Solid State Relay	100% Solid State	Solid State Control
Number of Outlets	2	2	8	2	16	4	2	**2 (8)	4
Alt./Simult. Outlets (max)	1x1	1x1	4x4	6x6	8x8	3/2	1x1	4x4	2x2
Flash Patterns	4	1	17	1	1	1	1	9	4
FPM per Outlet	55	55	flash patterns	75	75	75	75	flash patterns	5.5
Input Voltage	12.8 V	13.5 V	12.8 V	12.8 V	14.2 V	14.2 V	13.5 V	all 12.8 V	12.8 V
Output Current per Outlet	12 amps	12 amps	5 amps	25 amps	5 amps	20 amps	20 amps	5 amps	5 amps
Output Power per Outlet	162 watts	162 watts	75 watts	360 watts	60 watts	270 watts	240 watts	64 watts	64 watts
Output Power Total	324 watts	324 watts	600 watts	720 watts	960 watts	1080 watts	480 watts	128 watts	256 watts
Operating Voltages	10-16VDC	10-16VDC	10-16VDC	10-16VDC	10-16VDC	10-16VDC	10-16VDC	10-16VDC	10-16VDC
Duty Cycle, On/Off	50%	50%	50%*	50%	50%	50%	50%	50%	50%
Maximum Voltage Drop	No more than 250mv	No more than 500mv	No more than 500mv	No more than 500mv	No more than 500mv	No more than 500mv	No more than 500mv	No more than 500mv	No more than 250mv
On/Off Control Switching	Less than 150mA @ 12.5 VDC	Less than 50mA @ 12.5 VDC	Less than 50mA @ 12.5 VDC	Less than 50mA @ 13.5 VDC	Less than 50mA @ 13.5 VDC	Less than 50mA @ 13.5 VDC	n/a	Less than 50mA @ 13.5 VDC	Less than 150mA @ 13.5 VDC
Weather Protection	Encapsulated	Encapsulated	-	-	-	-	Encapsulated	Encapsulated	Encapsulated
Highbeam Override	yes	yes	n/a	n/a	n/a	n/a	n/a	n/a	n/a
Night Time Cutoff	yes	yes	n/a	n/a	n/a	n/a	n/a	n/a	n/a
Certifications	n/a	n/a	n/a	NFPA 1901	KKK1822E SAE CA Title XIII NFPA 1901	KKK1822E NFPA 1901	n/a	n/a	n/a

* Dependent on flash pattern, 50% in alternating mode, 150 FPM in single flash

**2 outlets with 3 wire pairs each.



Route 145, Winthrop Road
Chester, Connecticut 06412-0684
(860) 526-9504 • Fax: (860) 526-4078
Internet: www.whelen.com

Whelen Engineering reserves the right to upgrade and improve products without notice.



© 2004 Whelen Engineering Company, Inc.
Form No. 11151C-0704