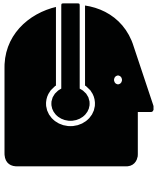


380 SERIES REMOTE SIREN

ETSA380R



⚠ WARNING

Sirens produce loud sounds that may damage hearing:

- Roll up windows.
- Wear hearing protection.
- Use only for emergency response.
- Avoid exposure to siren sound outside of vehicle.

Please see back page for
Technical Specifications

Important Information:

- Warning devices are strictly regulated and governed by Federal, State and Municipal ordinances. These devices shall be used ONLY on approved vehicles. It is the sole responsibility of the user of these devices to ensure compliance.

SoundOff
Signal

IMPORTANT NOTICE TO INSTALLER:

Make sure to read and understand all instructions and warnings before proceeding with the installation of this product. Ensure the manual and all warning cards are delivered to the end user of this equipment.

Introduction

The ETSA380R is Remote Mounted Siren Amplifier designed for dual 100 Watt speaker use. The siren comes standard with a noise-cancelling microphone for PA use. The amplifier box contains a dual amplifier capable of supplying sound to dual 100 Watt speakers. The ETSA380R also includes a 3 position slide switch and 8 independently controlled accessory switches each capable of supplying 10-20 amps.

The primary operating modes are User Selectable tone, Yelp, Wail, Radio, PA, Horn Override, and a push-button Manual Override are available in all modes. All tones except Wail and Yelp for California Title 13 compliance may be disabled by programming the siren.

Sirens provide an essential function of an effective audio / visual warning system. However, sirens are only short range secondary devices. The use of a siren does not insure that all drivers can or will abide by or react to an emergency warning signal, especially at high rates of speeds or long distances. The operator of the vehicle must never take the right of way for granted and it is the operator's responsibility to proceed safely.

The effectiveness of this siren system is highly dependant on the correct mounting and wiring. The installer must read and follow the manufacturer's installation instructions and warnings in the manual. The vehicle operator should verify the siren system is securely fastened to the vehicle and properly functioning.

Effective sirens generate loud sound pressure levels that can potentially cause hearing damage. Installers and those around the vehicle need to be aware of the dangers and wear hearing protection whenever the siren system is operating. Vehicle operators and occupants should assess their exposure to siren noise and determine what steps need to be taken to prevent hearing damage.

The siren system is intended for use by authorized personnel only. It is the user's responsibility to ensure they understand and operate the emergency warning devices in compliance with all applicable city, state, and federal laws and regulations. SoundOff Signal assumes no liability for any loss resulting from the use of the siren system.

Package Contents:

- 1 ea. Amplifier Box
- 1 ea. Microphone Bracket w/ Mounting Hardware
- 4 ea. Amplifier Wire Harnesses with Connectors (1-4 pin, 1-12 pin, 1-5 pin and 1-14 pin)
- 1 ea. Instruction Manual
- 1 ea. Operators Warning Card to remain in vehicle for operator review
- 1 ea. Sound Pressure Warning Label that is to be attached in vehicle and in plain site of operator and occupants of the vehicle
- 1 ea. Mounting Bracket with Hardware
- 1 ea. Label Card for Aux. Switches

Wire capacity requirements for siren amplifier (incoming power)-each supply and ground wire.

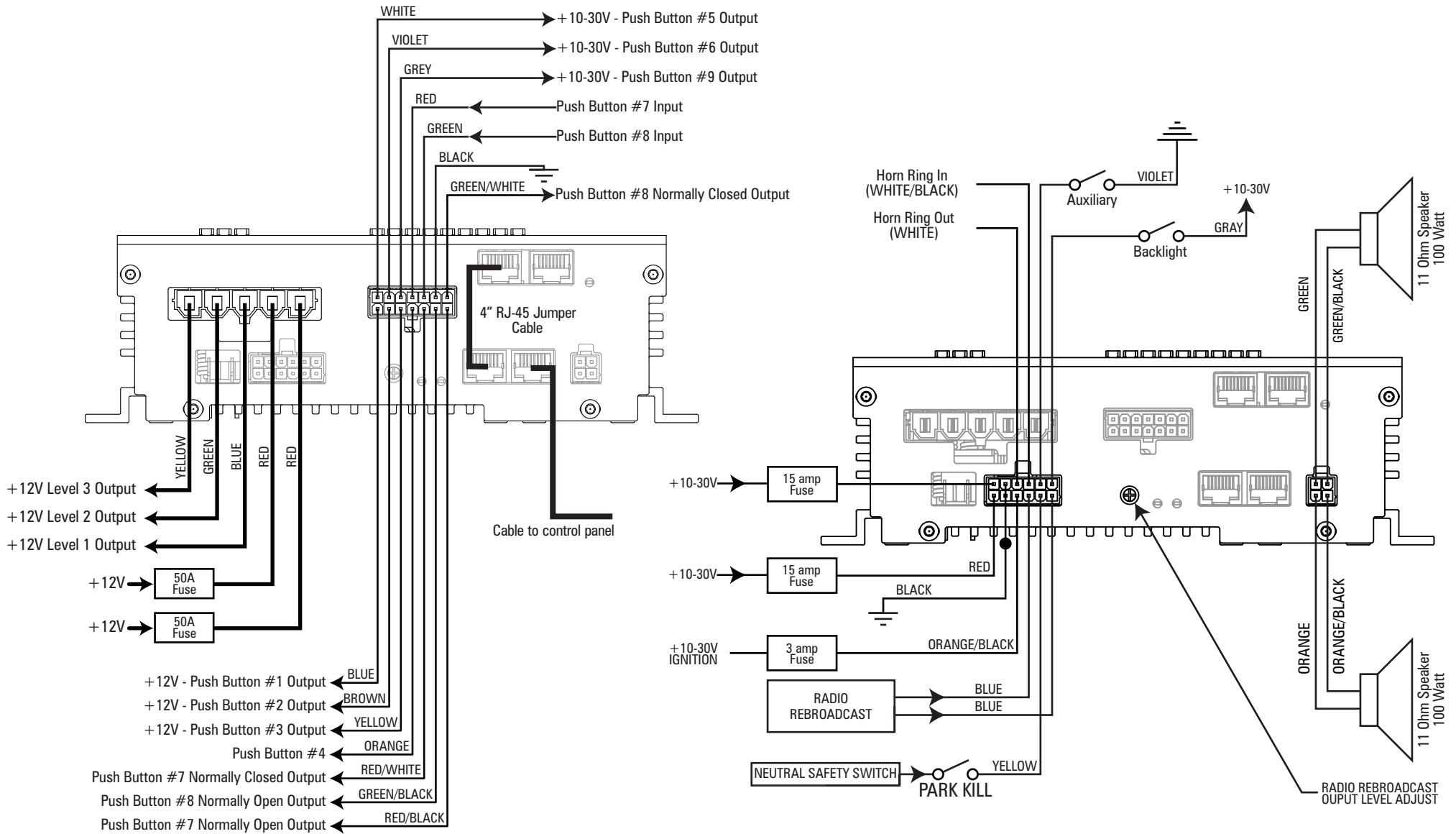
- 0-10 Feet: 14 AWG
- 10-20 Feet: 12 AWG
- 20-30 Feet: 10 AWG
- 30+ Feet: Consult Factory to determine requirements

To review our Limited Warranty Statement & Return Policy for this or any SoundOff Signal product please visit our website at www.soundoffsignal.com and select the "Warranty & Returns" link along the left column of our home page. If you have questions regarding this product please contact Technical Services, Monday - Friday, 8 am to 5 pm at 1.800.338.7337, press #4 to skip the automated message. Questions or comments that do not require immediate attention may be emailed to techsupport@soundoffsignal.com.

1.800.338.7337. / www.soundoffsignal.com / Thank you for trusting us with your safety!

380 SERIES REMOTE SIREN

ETSA380R



Note: All fuses shown are user supplied & must be installed to ensure safe operation.



PARK KILL WILL DEACTIVATE SIREN
 -AUX AND HORN RING WILL NOT REACTIVATE
ONLY YELP, WAIT OR TONE BUTTONS WILL REACTIVATE

380 SERIES REMOTE SIREN

ETSA380R

LEGEND:



Programming Modes

Auxiliary Switch Settings:

Refer to Figure at far lower right for Button and LED locations and terminology

- Press and Hold Auxiliary Button #1 and #8 until slide switch #1 LED flashes.
- Press the button which setting is going to be viewed/changed 1 time.
- Monitor the 5 LED's for the arrow controller to determine setting
 - ⊙○○○○ -Arrow Controller (Left, Right, Center, OFF)
 - -Alternate Action Switch (Press ON / Press OFF)
 - ⊙○○○○ -Momentary Action Switch (ON only when depressed)
 - -8 Second ON Time (ON for 8 seconds when depressed)
- Press and release button until desired mode is selected.
- Continue steps 2-3 for any other buttons that need to be programmed.
- When Finished, momentarily depress Radio Rebroadcast button to exit programming mode.

Slide Switch Settings:

- Press and Hold Auxiliary Button #1 and #4 until slide switch #2 LED flashes.
- Press Auxiliary switch 1, 2, or 3 depending on which configuration for the slide switch is required.
- Auxiliary Switch #1 Illuminated (Mode #1)
 - ⊙○○○ -Slide Switch Position 1
 - ⊙⊙○○ -Slide Switch Position 2
 - ⊙⊙⊙○ -Slide Switch Position 3
- Auxiliary Switch #2 Illuminated (Mode #2)
 - ⊙○○○ -Slide Switch Position 1
 - -Slide Switch Position 2
 - -Slide Switch Position 3
- Auxiliary Switch #3 Illuminated (Mode #3)
 - ⊙○○○ -Slide Switch Position 1
 - ⊙⊙○○ -Slide Switch Position 2
 - ⊙⊙⊙○ -Slide Switch Position 3
- When finished, momentarily depress Radio Rebroadcast button to exit programming mode.

Input Settings:

- Press and Hold Auxiliary Button #1 and #3 until slide switch #3 LED flashes.
 - Park Kill Polarity Mode

ON = Activate when input connected to Ground
OFF = Activate when input connected to +12V
 - Horn Ring Polarity Mode

ON = Activate when input connected to Ground
OFF = Activate when input connected to +12V
 - CA Title 13 Compliance Mode

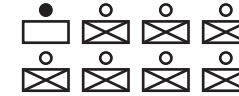
ON = DISABLED
OFF = ENABLED
 - Level 3 Tone Activation

ON = Siren Tone is always enabled
OFF = Siren Tone is enabled whenever is in position #3.
- When finished, momentarily depress Radio Rebroadcast button to exit programming mode.

Other Modes:

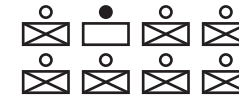
- Press and Hold Auxiliary Button #1 and #5 until slide switch #1 and #3 LED flashes.

a. Horn Ring Activation



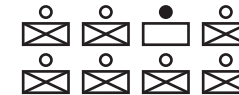
ON = Enabled whenever siren is not in "OFF" position.
OFF = Enabled only when slide switch is in position 3.

b. Buzzer



ON = Enabled
OFF = Disabled

c. Speakers

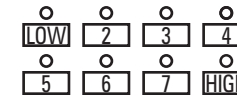


ON = 2 Speakers
OFF = 1 Speaker

- When finished, momentarily depress Radio Rebroadcast button to exit programming mode.

Setting PA Volume:

- Press and Hold Auxiliary Button #1 and #2 until slide switch #2 and #3 LED flashes.
 - Depress and hold PA switch on microphone and press Push-button 1-8 depending on volume required. When correct volume is determined, press Radio Rebroadcast and the volume setting will be permanently stored.



Slide Switch LEDs Arrow Control LEDs



AUXILLARY BUTTON #s
1-2-3-4
5-6-7-8

Denotes Factory Default Setting



380 SERIES REMOTE SIREN

ETSA380R

AUXILLARY BUTTON TO SLIDE SWITCH MAPPING:

1. Press buttons 4 and 5 for 2 seconds until Radio Rebroadcast light flashes
2. Move slide switch to desired position
3. Press buttons 1-8 as required. LED ON = function will turn ON when level is activated
4. Button to be programmed must be set up to be TOGGLE or TIME DELAY function. If it is programmed for Arrow, or momentary, it can't be selected for this feature
5. Press Radio Rebroadcast button to exit programming mode

STONE PROGRAMMING:

1. Press buttons 2 and 7 for 2 seconds until Slide switch LED'S 1, 2, and 3 flash
2. Press tone button to be programmed (Wail, Yelp, Tone, Manual, or Horn). Auxillary button 1 = HORN, button 2 = MANUAL
3. Auxillary buttons 5-8 will determine which tone is to be played when the user presses the button.
4. Repeat steps 2 and 3 for each tone button
5. Press Radio Rebroadcast button to exit programming mode

WAIL BUTTON

BUTTON #6	BUTTON #7	BUTTON #8	SPKR A	SPKR B
OFF	OFF	OFF	WAIL 1	WAIL 1
OFF	OFF	ON	WAIL 2	WAIL 2
OFF	ON	OFF	WAIL 1	WAIL 2
OFF	ON	ON	WAIL 1	YELP 1
ON	OFF	OFF	WAIL 1	ALERT A
ON	OFF	ON	WAIL 1	HiLo
ON	ON	OFF	WAIL 2	SUPER HiLo
ON	ON	ON	WAIL 2	PIERCER

YELP BUTTON

BUTTON #6	BUTTON #7	BUTTON #8	SPKR A	SPKR B
OFF	OFF	OFF	YELP 1	YELP 1
OFF	OFF	ON	YELP 2	YELP 2
OFF	ON	OFF	YELP 1	YELP 2
OFF	ON	ON	YELP 1	ALERT A
ON	OFF	OFF	YELP 1	PIERCER
ON	OFF	ON	YELP 1	HiLo
ON	ON	OFF	YELP 2	SUPER HiLo
ON	ON	ON	YELP 2	PIERCER

STONE BUTTON

BUTTON #5	BUTTON #6	BUTTON #7	BUTTON #8	SPKR A	SPKR B
OFF	OFF	OFF	OFF	ALERT A	ALERT A
OFF	OFF	OFF	ON	PIERCER	PIERCER
OFF	OFF	ON	OFF	HiLo	HiLo
OFF	OFF	ON	ON	SUPER HiLo	SUPER HiLo
OFF	ON	OFF	OFF	ALERT A	ALERT A
OFF	ON	OFF	ON	ALERT A	HiLo
OFF	ON	ON	OFF	ALERT A	SUPER HiLo
OFF	ON	ON	ON	HiLo	SUPER HiLo
ON	OFF	OFF	OFF	HiLo	PIERCER
ON	OFF	OFF	ON	ALERT A	ALERT B
ON	OFF	ON	OFF	PIERCER	ALERT B
ON	OFF	ON	ON	PIERCER	ALERT A
ON	ON	OFF	OFF	SUPER HiLo	PIERCER
ON	ON	OFF	ON	WAIL 1	WAIL 2
ON	ON	ON	OFF	YELP 1	YELP 2
ON	ON	ON	ON	WAIL 1	YELP 1

HORN BUTTON

BUTTON #5	BUTTON #6	BUTTON #7	BUTTON #8	SPKR A	SPKR B
OFF	OFF	OFF	OFF	HORN 1	HORN 1
OFF	OFF	OFF	ON	HORN 2	HORN 2
OFF	OFF	ON	OFF	HORN 3	HORN 3
OFF	OFF	ON	ON	HORN 4	HORN 4
OFF	ON	OFF	OFF	HORN 1	HORN 2
OFF	ON	OFF	ON	HORN 1	HORN 3
OFF	ON	ON	OFF	HORN 1	HORN 4
OFF	ON	ON	ON	HORN 2	HORN 3
ON	OFF	OFF	OFF	HORN 2	HORN 4
ON	OFF	OFF	ON	HORN 3	HORN 4
ON	OFF	ON	OFF	HORN 1	WAIL 1
ON	OFF	ON	ON	HORN 1	YELP 1
ON	ON	OFF	OFF	HORN 1	PIERCER
ON	ON	OFF	ON	HORN 2	YELP 1
ON	ON	ON	OFF	HORN 3	YELP 1
ON	ON	ON	ON	HORN 4	SUPER HiLo

MANUAL BUTTON

BUTTON #6	BUTTON #7	BUTTON #8	SPKR A/B
OFF	OFF	OFF	WAIL 1 FREQUENCY DECREASE WHEN RELEASED
OFF	OFF	ON	WAIL 1 IMMEDIATE OFF WHEN RELEASED
OFF	ON	OFF	YELP 1
OFF	ON	ON	PIERCER
ON	OFF	OFF	ALERT A
ON	OFF	ON	HiLo
ON	ON	OFF	SUPER HiLo
ON	ON	ON	WAIL 1 IMMEDIATE OFF WHEN RELEASED



Denotes Factory Default Setting

380 SERIES REMOTE SIREN

ETSA380R

MICROPHONE BRACKET INSTALLATION:



A metal clip is provided for mounting the microphone. Choose a location convenient to the operator and away from any air bag deployment areas. Using the mounting clip as a template, mark the two holes to be drilled. Using a 1/8" drill bit, drill the two mounting holes. Install the two #6 screws provided with the bracket.

AUXILLARY AND SLIDE SWITCH LED INDICATORS:

LED INDICATOR	CONDITION
OFF	RELAY OUTPUT IS OFF
ON	RELAY OUTPUT IS ON
FLASHING	RELAY OUTPUT HAS A FAULT

SIREN AMPLIFIER DIAGNOSTIC INDICATORS:

POWER	SPKR 1 INDICATOR	SPKR 2 INDICATOR	CONDITION
FLASHING	ON	ON	OVER-TEMPERATURE
FLASHING	OFF	ON	UNDER-VOLTAGE
FLASHING	ON	OFF	OVER-VOLTAGE
FLASHING	FLASHING	-	COMM FAULT - RELAY
FLASHING	-	FLASHING	COMM FAULT - AMP
FLASHING	FLASHING	FLASHING	COMM FAULT -RELAY AND AMP
OFF	-	-	STANDBY MODE
ON	ON	-	SPKR 1 IS ACTIVE
ON	-	ON	SPKR 2 IS ACTIVE
ON	FLASHING	-	SPKR 1 FAULT
ON	-	FLASHING	SPKR 2 FAULT
ON	OFF	-	SPKR 1 IS OFF
ON	-	OFF	SPKR 2 IS OFF

Replacement Parts & Accessories:

- : Relay PCB
- : Microphone
- : Control Panel
- : 6" Harness
- : 25' Harness



TECHNICAL SPECIFICATIONS

Overall Dimensions:	
Control Panel:	6.89"H x 3.51"W x 1.17"D
Amplifier/Relay:	8.67"H x 5.66"W x 2.66"D
Input Voltage:	10 - 30Vdc (negative ground)
Input Current:	9 Amps @ 13.5 VDC (100W Speaker)/18 Amps @ 13.5Vdc (200W Speaker)
Standby Current:	Less than 20mA
Audio Frequency:	200Hz - 10 kHz + 3db
Output Power:	2x100W RMS MAX. (11 Ohm Speaker Impedance)
Siren Frequency:	675Hz - 1633Hz
High Voltage Protection:	Limits to 32V in Maximum
Low Voltage Shutdown:	Voltage <9.0V will cause siren output to cease and will resume when system voltage is >9.0V
Operating Temperature:	-40°C to +50°C
	Auxiliary Input connection for remote manual or Hands Free operation
	Tone disable for California Title 13 compliance
Boxed Weight:	X lbs