

## SAE Class I LED Beacon

ELB45BM(z)+(x)(y) Magnet Mount

ELB45BC(z)0(x)(y) Flat/Pipe Mount



Please see reverse  
for Technical Specifications

### Important Information

• Warning devices are strictly regulated and governed by Federal, State and Municipal ordinances. These devices shall be used ONLY on approved vehicles. It is the sole responsibility of the user of these devices to ensure compliance.

• DO NOT connect this device to a strobe power supply. This product is self-contained and does not require an external power supply.

• Do not install this product or route its wires in the air bag deployment area. Doing so may cause damage to or reduce effectiveness of the air bag, or create projectile that could cause serious injury or death. To determine air bag deployment area refer to vehicle manufacturer's manual.

### INSTALLATION:

#### Magnet Mount

- 1) Install square metal plate with PEM nut up using M3x10mm screws as shown.
- 2) Carefully place beacon on steel top of vehicle with "Rear of Vehicle" arrow toward rear.
- 3) Route wire to cigarette plug.

#### Flat Mount

- 1) Determine location where beacon is to be installed and drill  $\varnothing 1/2$ " hole at the center for cord exit.
- 2) Using the housing as a guide mark the centers of hole positions in three places (note "Rear of Vehicle" Arrow) and drill appropriate pilot holes.
- 3) With wire through center of gasket make electrical connections.
- 4) Ensure "Rear of Vehicle" Arrow is in correct position and install 3 screws being careful not to strip out pilot holes. DO NOT OVERTIGHTEN.

#### Pipe Mount

Beacon may be installed on vertical pipe with 1"NPT thread.

- 1) Feed wires through pipe and make electrical connections.
- 2) Screw base of beacon to pipe (clockwise). Adjust pipe or beacon so that "Rear of Vehicle" Arrow points to the rear.

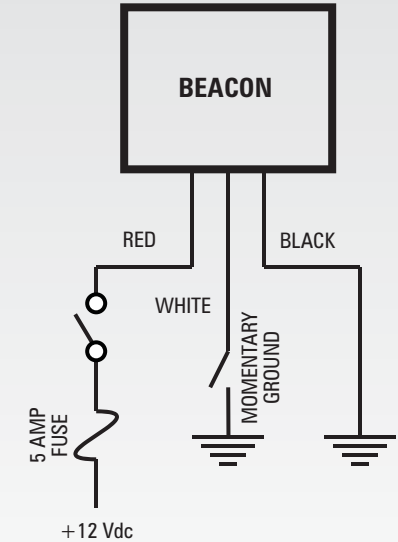
### OPERATION:

#### Magnet Mount

- 1) Place beacon on roof of vehicle.
- 2) Route wire through window.
- 3) Plug into cigar lighter socket.
- 4) Press arrow on cigar lighter >1 sec but <5 sec: pattern advances 1 step.
- 5) Press arrow for >5 sec pattern resets to pattern #1.

#### Flat / Pipe Mount

- 1) Connect wires as shown below (note that white wire is for momentary ground (used for pattern selection) and should be taped after pattern is selected.



### WARNING

This product contains high intensity LED devices.  
To prevent eye damage, DO NOT stare into the  
light beam at close range.

**SoundOff  
Signal**

To review our Limited Warranty Statement & Return Policy for this or any SoundOff Signal product please visit our website at [www.soundoffsignal.com](http://www.soundoffsignal.com) and select the "Warranty & Returns" link along the left column of our home page. If you have questions regarding this product please contact Technical Services, Monday - Friday, 8 am to 6 pm at 1.800.338.7337, press #4 to skip the automated message. Questions or comments that do not require immediate attention may be emailed to [techsupport@soundoffsignal.com](mailto:techsupport@soundoffsignal.com).

1.800.338.7337. / [www.soundoffsignal.com](http://www.soundoffsignal.com) / Thank you for trusting us with your safety!

# SAE Class I LED Beacon

ELB45BM(z)+(x)(y) Magnet Mount

ELB45BC(z)0(x)(y) Flat/Pipe Mount

TECHNICAL SPECIFICATIONS	
Overall Dimensions:	4.86"H x 6.35"Ø x n.nn"D
Flash Patterns:	33 flash patterns
Input Voltage Range:	9 - 30 Vdc
Current Consumption:	less than 2 amps
# of LEDs:	12 Generation 3 LEDs
Light Sync Technology:	Yes
Operating Temperature:	-40° to +65° C

Flash Patterns					
Alternating Patterns	1 Light	Alternating 2 Lights	Simultaneous 2 Lights	X-Pattern 4 Lights	FPM (Flashes per Minute)
1. Warp	x	x	x		240
2. Quad Flash	x	x	x		81
3. Quint	x	x	x		70
4. Double Flash	x	x	x		70
5. Quad2 Flash	x	x	x		67
6. Warp <sup>2</sup>	x	x	x		59
7. E-Ideal Single Flash	x	x	x		63
8. U <sup>2</sup>	x	x	x		176

## — Replacement Parts & Accessories: —

- E360BG4: Metal Branch Guard for 4" Low Dome
- E360BG6: Metal Branch Guard for 6" High Dome
- E360DC6: Clear Dust Cover for 4" Low and 6" High Dome
- ET2BLL(x): 4" Low Dome
- ET2BLT(x): 6" High Dome
- PE2BBDR2: Black Dress Ring



To review our Limited Warranty Statement & Return Policy for this or any SoundOff Signal product please visit our website at [www.soundoffsignal.com](http://www.soundoffsignal.com) and select the "Warranty & Returns" link along the left column of our home page. If you have questions regarding this product please contact Technical Services, Monday - Friday, 8 am to 6 pm at 1.800.338.7337, press #4 to skip the automated message. Questions or comments that do not require immediate attention may be emailed to [techsupport@soundoffsignal.com](mailto:techsupport@soundoffsignal.com).

**1.800.338.7337. / [www.soundoffsignal.com](http://www.soundoffsignal.com) / Thank you for trusting us with your safety!**

# SAE Class I LED Beacon

ELB45BC(z)0(x)(y) Flat/Pipe Mount

**NOTE: The Magnet Mount Beacon (ELB45BM(z)+(x)(y))  
CANNOT be synced.**

## Beacon Sync Configuration Instructions

1. **Set ID#**
  - a. Identify which pattern and sequence you want.
  - b. Connections
    - i. RED: +12Vdc
    - ii. WHT: +12Vdc (Note: you will need to disconnect after power is applied)
    - iii. BLK: Ground
  - c. Apply power to unit
  - d. Without disconnecting power from red wire, disconnect WHT wire
  - e. Momentarily connect WHT to Ground to change ID #
    - i. Identify ID# by number of sequential flashes
    - ii. Possible ID#s: 1 – 4
  - f. Disconnect power from red wire to get out of ID mode.
2. **Set Pattern**
  - a. Reapply power to red wire.
  - b. Once all Light Head ID#s are configured, **make sure all lights are flashing the same pattern.**
  - c. Connect corresponding colored wires of all units together: RED to RED, etc.
  - d. Change Pattern
    - i. Momentarily connect WHT wires to Ground
    - ii. Observe pattern change on all lights connected
  - e. Insulate all wire connections
3. **Reset Pattern**
  - a. Remove power
  - b. Place WHITE (sync) wire to ground
  - c. With sync wire grounded, re-power RED wire
  - d. Maintain for one second (light will dim)
  - e. Remove power and ground (pattern 1 set)

## SEQUENCE:

### 1 LIGHT

Single Light Operation: Follow the ID Selection steps and set the Beacon to ID# 1 if it is not already. NOTE: Steady Burn is produced for patterns 9 & 10 in Single Operation.

### 2 LIGHTS

ALTERNATING: To obtain Alternating patterns, follow the ID SELECTION steps and set one Beacon to ID#1 and the other to ID#3. Then proceed to the PATTERN SELECTION steps.

SIMULTANEOUS: To obtain Simultaneous patterns, follow the ID SELECTION steps and set both Beacon lights to ID#1. Then proceed to PATTERN SELECTION steps.



To review our Limited Warranty Statement & Return Policy for this or any SoundOff Signal product please visit our website at [www.soundoffsignal.com](http://www.soundoffsignal.com) and select the "Warranty & Returns" link along the left column of our home page. If you have questions regarding this product please contact Technical Services, Monday - Friday, 8 am to 6 pm at 1.800.338.7337, press #4 to skip the automated message. Questions or comments that do not require immediate attention may be emailed to [techsupport@soundoffsignal.com](mailto:techsupport@soundoffsignal.com).

**1.800.338.7337. / [www.soundoffsignal.com](http://www.soundoffsignal.com) / Thank you for trusting us with your safety!**