

WHELEN® 2022 Series Strobe Beacons

ENGINEERING COMPANY, INC.

Features:

- SAE Class 1 Certified (amber & clear).
- Reverse polarity protection.
- Fully enclosed base protects against moisture and vibration.
- Silicone coated power supplies provide protection against the elements.
- Easy access for modular parts replacement.
- Magnetic mount supplied with 8' cord and cigar plug.

Warranty:

- Power Supply = 2 Year
- Flash Tube = 6 Months



2022LPA



2022HPA

Models Replace asterisk in model number with desired color. A = Amber, C = Clear, R = Red, B = Blue, G = Green



Model No.	Mount	Profile	Base	Watts	Joules	FPM	VDC	Control
2022LP*	perm/pipe	low	polycarbonate	32 input	19	72 QuintFlash™ default;	12/24	manual Hi/Low control
2022LP*M	magnetic							
2022LP*V	magnetic/suction							
2022LC*	perm/pipe	high	cast aluminum	22 output		DoubleFlash, RapidRandom™ & ActionFlash™ also built in		auto Hi/Low control
2022HP*	perm/pipe		polycarbonate					
2022HP*M	magnetic		polycarbonate					
2022HP*V	magnetic/suction		cast aluminum					
2022HC*	perm/pipe							
2022AP*	perm/pipe							
2022AC*	perm/pipe							

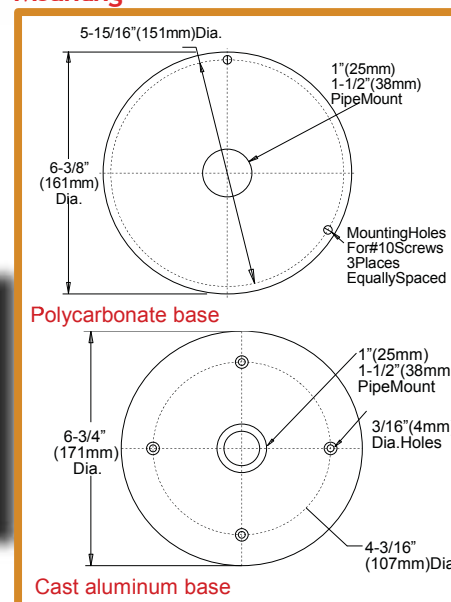
Options

Model No.	Description
MMK	magnetic kit with 8' cord & plug
DCH	dust cover (high dome only)
SS	sun shade, mylar
BGL	branch guard, low dome
BGH	branch guard, high dome
LSK	lighted switch kit
MIRROR20	West Coast mirror mount bracket

Replacement Parts

Dome	Flash Tube
DH2000* (high)	FT20A
DL2000* (low)	

Mounting



New West Coast mirror mount brackets, mount directly on existing mirror brackets.

Dimensions

