

WHELEN[®]

ENGINEERING COMPANY INC.

51 Winthrop Road
Chester, Connecticut 06412-0684
Phone: (860) 526-9504
Fax: (860) 526-4078
Internet: www.whelen.com
Sales e-mail: autosale@whelen.com
Canadian Sales e-mail: canadiansales@whelen.com
Customer Service e-mail: custserv@whelen.com

Installation Guide: Responder[®] LP Lightbar

Safety First

This document provides all the necessary information to allow your Whelen product to be properly and safely installed. Before beginning the installation and/or operation of your new product, the installation technician and operator must read this manual completely. Important information is contained herein that could prevent serious injury or damage.

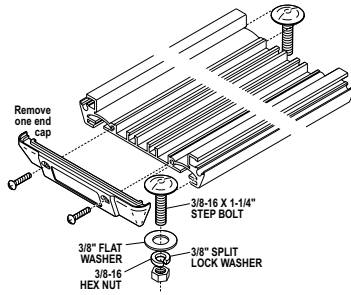
- Proper installation of this product requires the installer to have a good understanding of automotive electronics, systems and procedures.
- If mounting this product requires drilling holes, the installer **MUST** be sure that no vehicle components or other vital parts could be damaged by the drilling process. Check both sides of the mounting surface before drilling begins. Also de-burr any holes and remove any metal shards or remnants. Install grommets into all wire passage holes.
- If this manual states that this product may be mounted with suction cups, magnets, tape or Velcro[®], clean the mounting surface with a 50/50 mix of isopropyl alcohol and water and dry thoroughly.
- Do not install this product or route any wires in the deployment area of your air bag. Equipment mounted or located in the air bag deployment area will damage or reduce the effectiveness of the air bag, or become a projectile that could cause serious personal injury or death. Refer to your vehicle owner's manual for the air bag deployment area. The User/Installer assumes full responsibility to determine proper mounting location, based on providing ultimate safety to all passengers inside the vehicle.
- For this product to operate at optimum efficiency, a good electrical connection to chassis ground must be made. The recommended procedure requires the product ground wire to be connected directly to the **NEGATIVE (-)** battery post.
- If this product uses a remote device to activate or control this product, make sure that this control is located in an area that allows both the vehicle and the control to be operated safely in any driving condition.
- Do not attempt to activate or control this device in a hazardous driving situation.
- This product contains either strobe light(s), halogen light(s), high-intensity LEDs or a combination of these lights. Do not stare directly into these lights. Momentary blindness and/or eye damage could result.
- Use only soap and water to clean the outer lens. Use of other chemicals could result in premature lens cracking (crazing) and discoloration. Lenses in this condition have significantly reduced effectiveness and should be replaced immediately. Inspect and operate this product regularly to confirm its proper operation and mounting condition. Do not use a pressure washer to clean this product.
- It is recommended that these instructions be stored in a safe place and referred to when performing maintenance and/or reinstallation of this product.
- **FAILURE TO FOLLOW THESE SAFETY PRECAUTIONS AND INSTRUCTIONS COULD RESULT IN DAMAGE TO THE PRODUCT OR VEHICLE AND/OR SERIOUS INJURY TO YOU AND YOUR PASSENGERS!**

For warranty information regarding this product, visit www.whelen.com/warranty

IMPORTANT! The lightbar should be a minimum of 16" from any radio antennas!

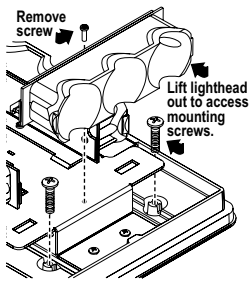
Permanent Mounting:

This mounting style requires removal of the headliner. There may be a roof support member that runs from the drivers to the passengers side of the vehicle. **Do not drill through this member.**



Caution: Permanent mounting of this product will require drilling. It is absolutely necessary to make sure that no other vehicle components could be damaged by this process. Check both sides of the mounting surface before starting. If damage is likely, select a different mounting location.

- When the mounting location has been determined, slide the 2 mounting bolts into the lightbar extrusion, one bolt in each track. Position these bolts so that they are at opposite ends of the extrusion and as far apart as possible.
- Place the lightbar on the vehicle in its proposed mounting location. Mark the location of the 2 mounting bolts onto the mounting surface. Also, mark the area for the wire passage hole. This hole should be located directly below where the wires exit the extrusion.
- Remove the lightbar and drill two, 5/16" dia. mounting holes and a 5/16" dia. wire passage hole. De-burr all three holes and install a rubber grommet (customer supplied) into the wire passage hole.
- Route the wires through the grommet and to the necessary switches and power source as shown in the diagram below.
- Secure the Responder® to the vehicle using the hardware provided. From the underside of the mounting surface, apply RTV around each mounting hole and the grommeted wire passage hole to prevent water from entering these openings.



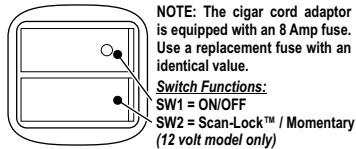
Permanent Mounting / Plastic Base

- Remove the outer dome and the screws that hold down the endcap lighthoods (use a T-10 TORX bit) and lift the (2) lighthoods out.
- Install the #10 screws into the 4 mounting holes to open up the holes.
- Remove the screws, position the base on the proposed mounting location then scribe the mounting surface where the mounting holes are to be drilled.
- Remove the base and drill the 4 mounting holes using a #16 drill bit.
- Install the lightbar. Replace the lighthoods & dome.

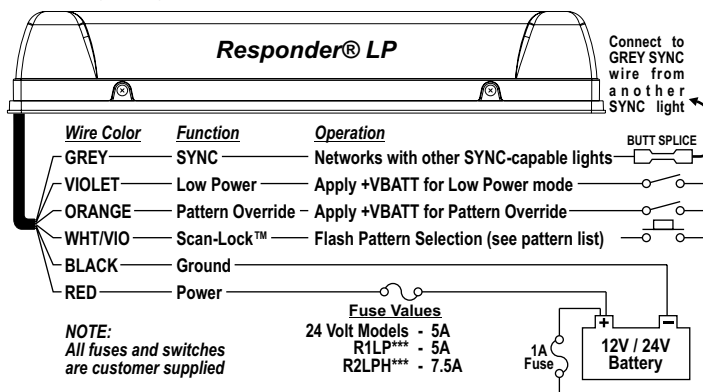
Temporary Mount (Magnetic, Suction Cup, etc.):

WARNING: The use of any magnetically mounted warning device on the outside of a vehicle in motion is not recommended and is at the sole risk and responsibility of the user.

Magnetic/suction: Thoroughly clean the proposed mounting surface prior to mounting. For suction cup mounting, wipe the suction cup clean, place the beacon onto its mounting surface and apply gentle pressure to ensure a good seal has been achieved. The Magnetic/Suction Cups mount the same way as standard suction cups but are best suited to a flat, steel surface. **Magnetic:** Place lightbar onto the mounting surface and plug it into the vehicle cigar lighter.



Wiring Diagram: All models except R2LPQH (See page 3)



Wiring:

WARNING! All customer supplied wires that connect to the positive terminal of the battery must be sized to supply at least 125% of the maximum operating current and FUSED at the battery to carry the load. **DO NOT USE CIRCUIT BREAKERS WITH THIS PRODUCT!**

Scan-Lock™:

To operate Scan-Lock, switch the lightbar on. The Scan-Lock wire will be either WHT/VIO or WHT (See wiring) Magnetic and Suction mount models use a momentary switch on the cigar plug instead of a wire (12 volt only).

TO CHANGE PATTERNS: To cycle forward to the next pattern apply +VBAT to the Scan-Lock wire (or switch) for less than 1 second and release. To cycle back to the previous pattern apply +VBAT to Scan-Lock™ wire for over 1 second and release.

TO CHANGE THE DEFAULT PATTERN: When the desired pattern is displayed, allow it to run for more than 5 seconds. The lighthouse will now display this pattern when initially activated.

TO RESTORE THE FACTORY DEFAULT PATTERN: With power off, apply +VBAT to the Scan-Lock™ wire (or switch). While continuing to apply power to Scan-Lock turn lighthouse(s) on. The factory default pattern will be displayed.

A Normally Open momentary switch can be used to control Scan-Lock. See below for available flash patterns.

IMPORTANT WARNING!

CAUTION! DO NOT LOOK DIRECTLY AT THESE LEDS WHILE THEY ARE ON. MOMENTARY BLINDNESS AND/OR EYE DAMAGE COULD RESULT!

Available Flash Patterns:

- | | | |
|------------------------------|-------------------------------|----------------------|
| 1. ActionScan™ | 19. SingleFl. 60 (Alt-Sim) CA | 38. ModuFlash™ (Alt) |
| 2. SignalAlert™ ALT | 20. SingleFlash 90 (Alt) CA | 39. ModuFlash (Sim) |
| 3. SignalAlert Sim | 21. SingleFlash 90 (Sim) CA | 40. Steady 5% |
| 4. SignalAlert (Alt/Sim) | 22. SingleFl. 90 (Alt-Sim) CA | 41. Steady 1% |
| 5. CometFlash® (Alt) | *23. SingleFlash 120 (Alt) CA | 42. Steady 4% |
| 6. CometFlash (Sim) | *24. SingleFlash 120 (Sim) CA | 43. Steady 8% |
| 7. CometFlash (Alt-Sim) | 25. SingleFl. 120(Alt-Sim) CA | 44. Steady 12% |
| 8. DoubleFlash 75 (Alt) | *26. SingleFlash 300 (Alt) | 45. Steady 40% |
| 9. DoubleFlash 75 (Sim) | *27. SingleFlash 300 (Sim) | 46. InOut |
| 10. DoubleFlash 75 (Alt-Sim) | 28. SingleFlash 300 (Alt-Sim) | 47. Sweep |
| 11. SingleFlash 75 (Alt) | *29. MicroBurst™ (Alt) | 48. LongBurst Sweep |
| 12. SingleFlash 75 (Sim) | *30. MicroBurst (Sim) | 49. InOut Blast |
| 13. SingleFlash 75 (Alt-Sim) | 31. MicroBurst (Alt-Sim) | 50. Sequence On/Off |
| 14. LongBurst™ (Alt) | *32. ActionFlash™ (Alt) | 51. ZigZag |
| 15. LongBurst (Sim) | *33. ActionFlash (Sim) | 52. Rotator 90 |
| 16. LongBurst (Alt-Sim) | 34. ActionFlash (Alt-Sim) | 53. Rotator 120 |
| 17. SingleFlash 60 (Alt) CA | *35. PingPong™ (Alt) | 54. Rotator 150 |
| 18. SingleFlash. 60 (Sim) CA | *36. PingPong (Sim) | 55. Rotator 250 |
| | 37. FilmFlam (Alt.) | |

CA = Calif. Title XIII Compliant Alt = Alternating Sim = Simultaneous Alt-Sim = Alternating-Simultaneous * = SYNC

Sync:

To SYNC two lightbars, configure both lightbars to display the same flash pattern. With the power off, connect the GREY wire from each lightbar together. When the lightbars are activated, their patterns will be synchronized. Only the flash patterns designated for SYNC in the flash pattern list may be used.

Hi/Low Power:

Allows user to step the unit down to low power for nighttime use.

Latching Mode: By applying +VBAT to the VIOLET wire for less than 1 second, the lightbar is "latched" into low power. The unit must be turned off and then back on to restore normal high power operation (Momentary switch).

Level Mode: Applying +VBAT to the VIOLET wire for more than 1 second holds the lightbar in low power mode until voltage is removed (Toggle switch).

Pattern Override:

Applying +VBAT to the ORANGE wire while lighthoods are activated, will change the flash pattern to whatever pattern override is programmed for. To program the flash pattern activate the lightbar then activate pattern override by applying +VBAT to the ORANGE wire and select a flash pattern using Scan-Lock.

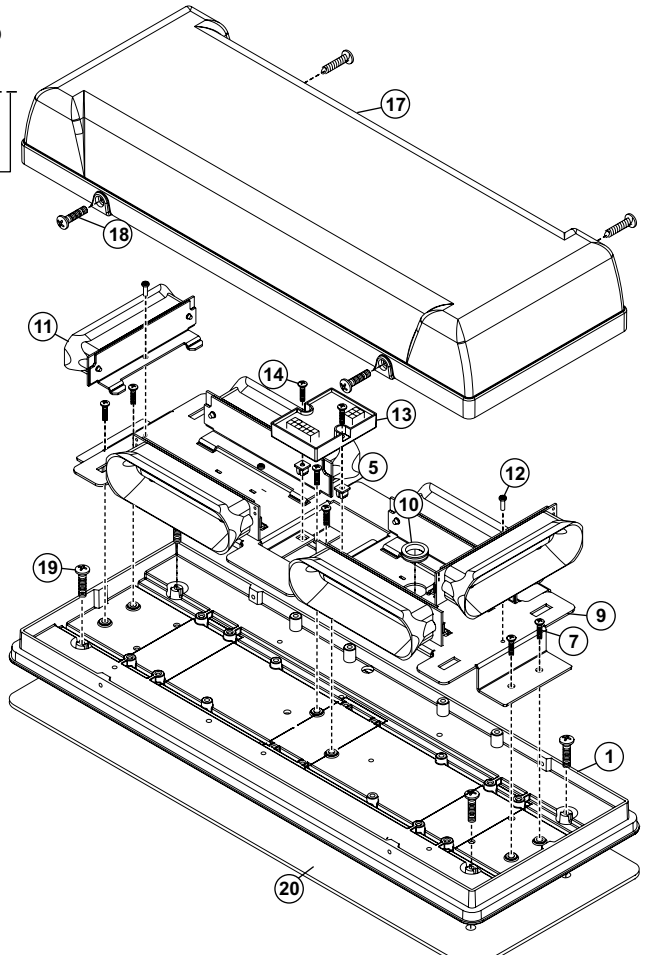
IMPORTANT! It is the responsibility of the installation technician to make sure that the installation and operation of this product will not interfere with or compromise the operation or efficiency of any vehicle equipment! Before returning the vehicle to active service, visually confirm the proper operation of this product, as well as all vehicle components/equipment.

QTY	ITEM	PART NUMBER	DESCRIPTION
*		01-0686380__P	RESPONDER LP, PERMANENT MT
1	1	11-381890-000	BASE, HOUSING RESPONDER 2
1	2	46-0743146-11	ASSY, 4/C 18 GA TPR CABLE 9' STRIP 2/770904-1
1	3	39-0917425-06	HOUSING, PLUG, 2 X 3 POS MINI UMNL, SEALED
1	4	39-2H17429-06	SEAL, INTERFACE 6 POS MINI UMNL
2	5	13-062C40-16J	SCREW GROMMET, #6/#8 FASTEX FASTEX
1	6	26-0115037-04	CABLE CLAMP, 1/4"D, 3/8"W, .203" MTG HOLE, BLACK
7	7	15-081416-060	SCREW, 8 X 3/8 PPHSMS 410 SS TYPE A
2	8	26-0215001-06	TY WRAP, 6" BLACK
1	9	11-386602-000	BASE, MTG LIGHTHEADS RESPONDER LP
1	10	21-11263204-0	GROMMET 1" SLIMLINE
6	11	01-026A518-11	ASSY, LIN6 LED 12V AMBER JUSTICE CREE
6	12	14-040285-063	SCREW, 4-40 X 3/8 TORX PH TRILOBULAR 410 SS, BLK OX.
1	13	01-026A213-01	ASSY, ELECT 6 CHANNEL FLASHER, QUEBEC HYDRO
2	14	15-081416-080	SCREW, 8 X 1/2 PPHSMS 410 SS
1	15	46-076A239-00	ASSY, HARNESS 6 OUTPUT RESPONDER LP
A/R	16	26-0215001-03	TY WRAP, 3" BLACK
1	17	68-2986619-10	DOME, AMBER NON OPTIC RESPONDER LP no MTG DETAILS
4	18	15-061416-080	SCREW, 6 X 3/8 PPH PLASTI LOK
4	19	15-101416-160	SCREW, 10 X 1 PPHSMS TYPE A
1	20	38-026A402-00	GASKET, MOUNTING RESPONDER 2

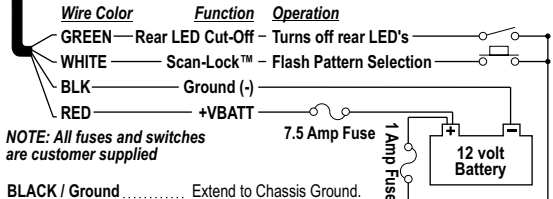
RESPONDER LP, LINEAR 6 LED QUEBEC HYDRO

01-0686380

OUTER DOME COLOR
A = AMBER
LED COLOR
1 = AMBER
MOUNTING
P = PERMANENT



Responder® LP / Model R2LPQH
QUEBEC HYDRO

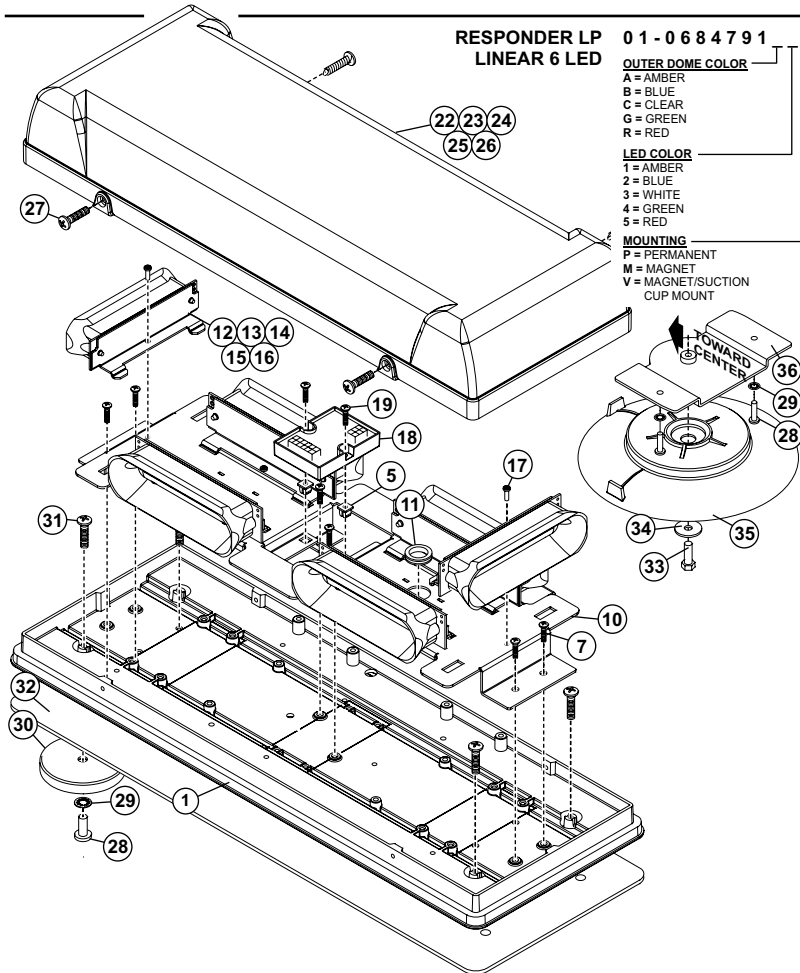


BLACK / Ground Extend to Chassis Ground.
 RED / Main Power Extend to an ignition controlled circuit capable of accommodating an additional 5 AMP current draw. Fuse at 7.5 amps.
 GREEN / Rear LED Cut-Off Extend wire to a switch and then extend to +VBATT. Fuse at 1 amp.
 WHITE / Scan-Lock™ Extend this wire to a momentary switch and then to +VBATT. Fuse at 1 Amp.

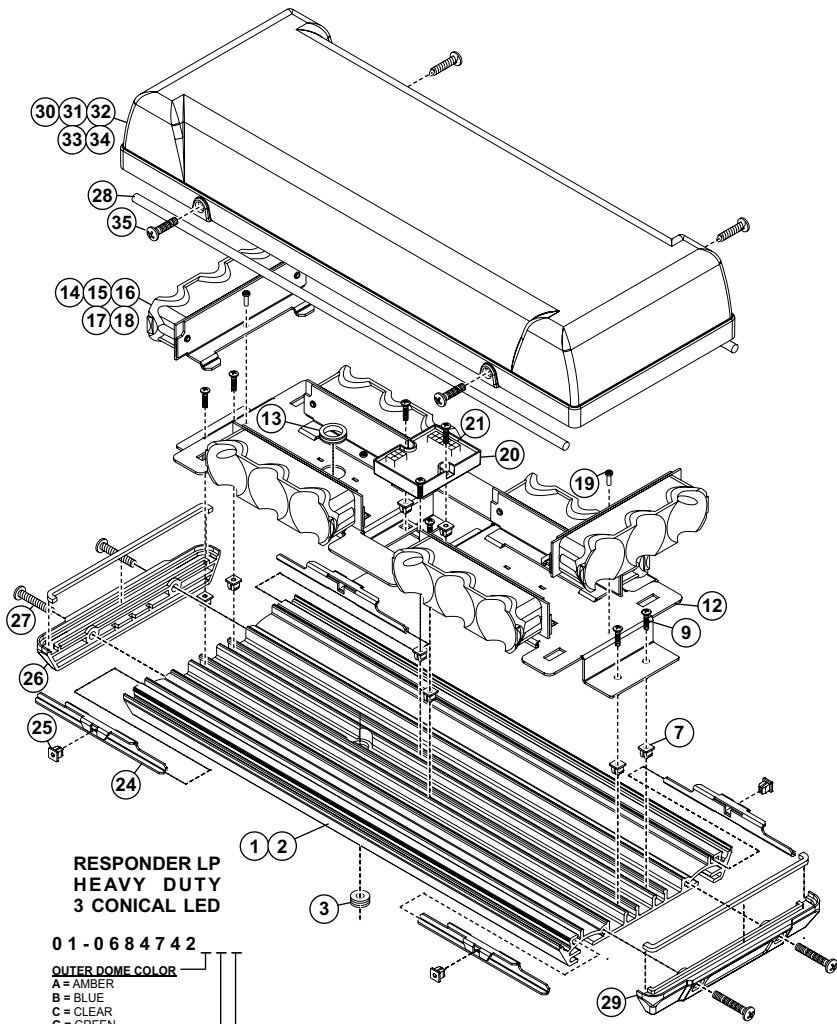
RESPONDER LP LINEAR 6 LED

01-0684791

OUTER DOME COLOR
A = AMBER
B = BLUE
C = CLEAR
G = GREEN
R = RED
LED COLOR
1 = AMBER
2 = BLUE
3 = WHITE
4 = GREEN
5 = RED
MOUNTING
P = PERMANENT
M = MAGNET
V = MAGNET/SUCTION CUP MOUNT



QTY	QTY	QTY	ITEM	PART NUMBER	DESCRIPTION
	*			01-0684791__P	RESPONDER LP, PERMANENT MT
	*			01-0684791__M	RESPONDER LP, MAGNET MT
*				01-0684791__V	RESPONDER LP, SUCTION MT
1	1	1	1	11-381890-000	BASE, HOUSING RESPONDER 2
-	-	1	2	46-076A219-00	HARNESS INPUT RESPONDER LP
1	1	-	3	02-0243725-00	CORD, CIGAR PLUG DUAL SWITCH
1	1	-	4	46-0743503-00	HARNESS INPUT POW. CORD DUAL SW RSPNDR LP
2	2	2	5	13-062C40-16J	SCREW GROMMET, #6/#8 FASTEX FASTEX
1	1	1	6	26-0115037-04	CABLE CLAMP, 1/4"D, 3/8"W, .203" MTG HOLE, BLK
7	7	7	7	15-081416-060	SCREW, 8 X 3/8 PPHSMS 410 SS TYPE A
2	2	2	8	26-0215001-06	TY WRAP, 6" BLACK
1	1	-	9	39-0403023-04	HOUSING, 3 POS SOCKET COMM MATE-N-LOK
1	1	1	10	11-386602-000	BASE, MTG LIGHTHEADS RSPNDR LP
1	1	1	11	21-11263204-0	GROMMET, 1" SLIM LINE
A/R	A/R	A/R	12	01-026A518-11	LIN6 LED 12V AMB JUSTICE CREE
A/R	A/R	A/R	13	01-026A518-21	LIN6 LED 12V BLU JUSTICE CREE
A/R	A/R	A/R	14	01-026A518-31	LIN6 LED 12V WHT JUSTICE CREE
A/R	A/R	A/R	15	01-026A518-41	LIN6 LED 12V GRN JUSTICE CREE
A/R	A/R	A/R	16	01-026A518-51	LIN6 LED 12V RED JUSTICE CREE
6	6	6	17	14-040285-063	SCREW, 4-40 X 3/8 TORX PH TRLBLR 410 SS, BLK OX.
1	1	1	18	01-026A213-00	ASSY, PCB RESPONDER FLASHER 6 CHANNEL
2	2	2	19	15-081416-080	SCREW, 8 X 1/2 PPHSMS 410 SS
1	1	1	20	46-076A239-00	ASSY, HARNESS 6 OUTPUT RESPONDER LP
A/R	A/R	A/R	21	26-0215001-03	TY WRAP, 3" BLACK
A/R	A/R	A/R	22	68-2986619-10	DOME, AMB NO OPTIC RSPNDR LP no MTG DETAIL
A/R	A/R	A/R	23	68-2986619-20	DOME, BLU NO OPTIC RSPNDR LP no MTG DETAIL
A/R	A/R	A/R	24	68-2986619-30	DOME, CLR NO OPTIC RSPNDR LP no MTG DETAIL
A/R	A/R	A/R	25	68-2986619-40	DOME, GRN NO OPTIC RSPNDR LP no MTG DETAIL
A/R	A/R	A/R	26	68-2986619-50	DOME, RED NO OPTIC RSPNDR LP no MTG DETAIL
4	4	4	27	15-061416-160	SCREW, 6 X 3/8 PPH PLASTI LOK
4	4	-	28	15-101416-100	SCREW, 10 X 5/8 PPHSMS 410 SS
-	4	-	29	16-1021220-45	WASHER, #10 INT TOOTH LOCK SS
-	4	-	30	65-0010191-00	MAGNET, X-50 RSPNDR (RB-50) NICKLE PLATED
-	-	4	31	15-101416-160	SCREW, 10 X 1 PPHSMS TYPE A
-	-	1	32	38-026A402-00	GASKET, MOUNTING RESPONDER 2
2	-	-	33	14-130436-120	SCREW, 1/4-20 X 3/4" HEX HD MS SS
2	-	-	34	16-1302820-06	WASHER, FLAT 1/4" 7/8 OD SS 17/64 ID .066-.070" THK
2	-	-	35	08-1583927-05	SUCTION CUP, MAGNET MOUNT
2	-	-	36	07-76A350-023	PLATE, ADAPTR MAG/SUC. MT BLACK RSPNDR LP



**RESPONDER LP
HEAVY DUTY
3 CONICAL LED**

01-0684742

OUTER DOME COLOR

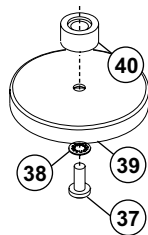
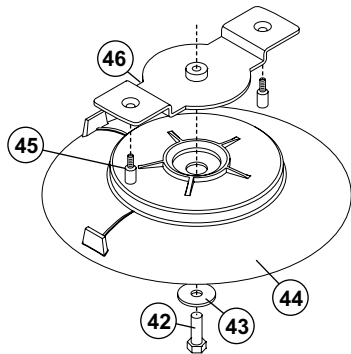
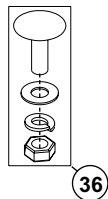
A = AMBER
B = BLUE
C = CLEAR
G = GREEN
R = RED

LED COLOR

1 = AMBER
2 = BLUE
3 = WHITE
4 = GREEN
5 = RED

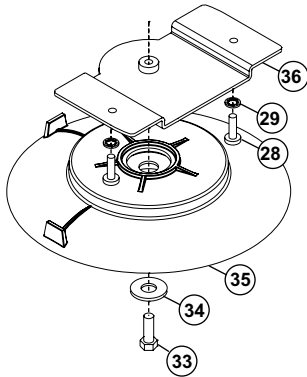
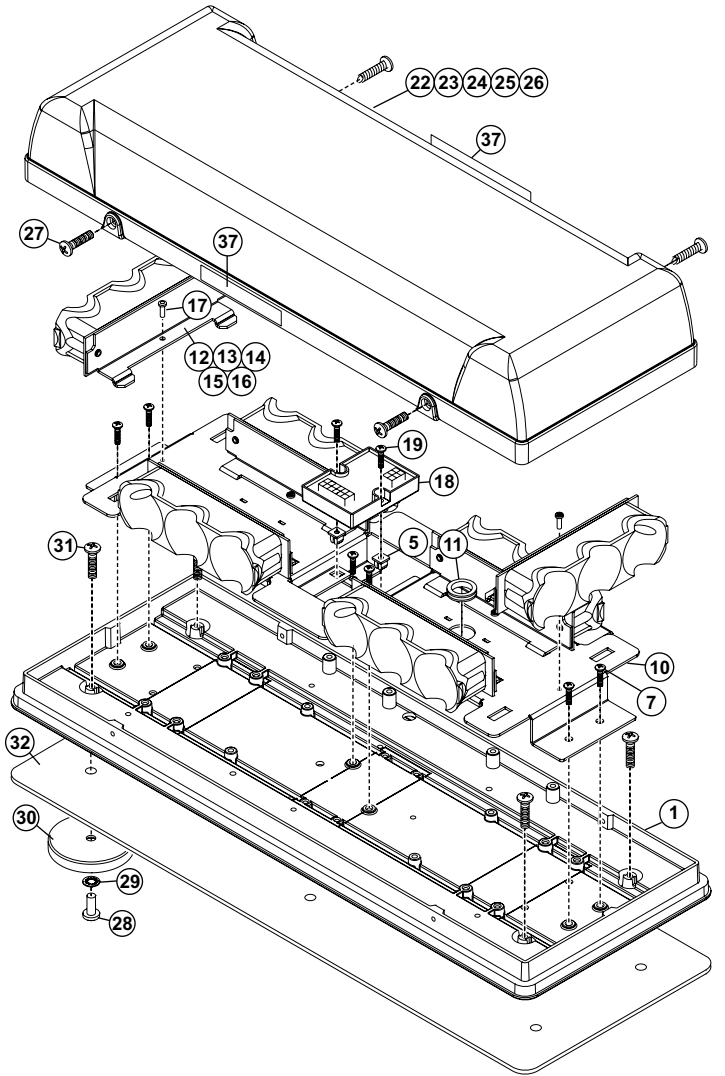
MOUNTING

P = PERMANENT
M = MAGNET
V = MAGNET/SUCTION
CUP MOUNT



QTY	QTY	QTY	ITEM	PART NUMBER	DESCRIPTION
	*			01-0684742__P	RESPONDER LP, HEAVY DUTY, PERM. MT
	*			01-0684742__M	RESPONDER LP, HEAVY DUTY, MAGNET MT
*				01-0684742__V	RESPONDER LP, HEAVY DUTY, SUCTION MT
1	-	1	1	11-36A101-002	BASE, 15.88" MACH. no RIVNUTS LP RESP.
-	1	-	2	11-36A101-001	BASE, 15.88" MACH. with RIVNUTS LP RESP.
1	1	1	3	21-11101610-0	GROMMET, 5/16 ID X 1/2 HOLE
-	-	1	4	46-076A219-00	HARNESS INPUT RSPNDR LP
1	1	-	5	02-0243725-00	CORD, CIGAR PLUG DUAL SWITCH
1	1	-	6	46-0743503-00	HARNESS INPT POW. CORD DUAL SW RSPNDR LP
9	9	9	7	13-062C40-16J	SCREW GROMMET, #6/#8 FASTEX
1	1	1	8	26-0115037-04	CABLE CLAMP, 1/4"D, 3/8"W .203" MTG HOLE, BLK
7	7	7	9	15-081416-060	SCREW, 8 X 3/8 PPHSMS 410 SS TYPE A
2	2	2	10	26-0215001-06	TY WRAP, 6" BLACK
1	1	-	11	39-0403023-04	HOUSING, 3 POS SOCKET COMM MATE-N-LOK
1	1	-	12	11-386602-000	BASE, MTG LIGHHEADS RESPONDR LP
1	1	1	13	21-11263204-0	GROMMET, 1" SLIM LINE
A/R	A/R	A/R	14	01-026B568-10	SUB ASSY, CON3 HINGE AMB AMP JUSTICE
A/R	A/R	A/R	15	01-026B568-20	SUB ASSY, CON3 HINGE BLU AMP JUSTICE
A/R	A/R	A/R	16	01-026B568-30	SUB ASSY, CON3 HINGE WHT AMP JUSTICE
A/R	A/R	A/R	17	01-026B568-40	SUB ASSY, CON3 HINGE GRN AMP JUSTICE
A/R	A/R	A/R	18	01-026B568-50	SUB ASSY, CON3 HINGE RED AMP JUSTICE
6	6	6	19	14-040285-063	SCREW, 4-40 X 3/8 TORX PH TRLBLR 410 SS, BLK OX.
1	1	1	20	01-026A213-00	PCB RESPONDR FLASHER 6 CHANNEL
2	2	2	21	15-081416-080	SCREW, 8 X 1/2 PPHSMS 410 SS
1	1	1	22	46-076A239-00	ASSY, HARNESS 6 OUTPUT RSPNDR LP
A/R	A/R	A/R	23	26-0215001-03	TY WRAP, 3" BLACK
4	4	4	24	07-26A107-000	BRACKET, DOME RESPONDR LP
4	4	4	25	21-1706090300	GROMMET, #6/#8 .265-.286 HOLE, .030 HD HT
2	2	2	26	11-282151-000	ENDCAP, COVER EXTRUSION ECONO LTBAR
4	4	4	27	14-0023347-00	SCREW, 10-24 X 1.25" TX PHD SWEDGE FORM
2.66	2.66	2.66	28	38-0541780-00	GASKET, .25 CORD EPDM SPONGE ECONO BAR
2	2	2	29	38-0143763-00	GASKET, DOME ENDCAP RSPNDR LP
A/R	A/R	A/R	30	68-2986618-10	DOME, AMB OPTIC RSPNDR LP no MTG DETAILS
A/R	A/R	A/R	31	68-2986618-20	DOME, BLU OPTIC RSPNDR LP no MTG DETAILS
A/R	A/R	A/R	32	68-2986618-30	DOME, CLR OPTIC RSPNDR LP no MTG DETAILS
A/R	A/R	A/R	33	68-2986618-40	DOME, GRN OPTIC RSPNDR LP no MTG DETAILS
A/R	A/R	A/R	34	68-2986618-50	DOME, RED OPTIC RSPNDR LP no MTG DETAILS
4	4	4	35	15-061416-080	SCREW, 6 X 1/2 PPHSMS SS TYPE A
-	-	1	36	01-0441771-02	KIT, EXTR STEP BOLT MT 1-1/4" AUTOBOWL FEED.
-	4	-	37	14-130216-100	SCREW, 1/4-20 X 5/8 PPHSMS
-	4	-	38	16-1321560-02	WASHER, 1/4 INTRNL TOOTH LOCK
-	4	-	39	65-0010192-00	MAGNET, X-80 NEW DMS (RB80) NICKLE PLATED
-	4	-	40	08-0640834-01	PAD, MTG, MAG MT W/.406 DIA THRU HOLE
-	A/R	-	41	66-0715403-00	THREADLOCKER, 242 LOCTITE
2	-	-	42	14-130436-120	SCREW, 1/4-20 X 3/4" HEX HD MS SS
2	-	-	43	16-1302820-06	WSHR, FLT 1/4" 7/8 OD SS 17/64 ID .056-.070" THK
2	-	-	44	08-1583927-05	SUCTION CUP, MAGNET MOUNT
4	-	-	45	14-130536-12K	SCREW, 1/4-20 X 3/4 SKT HD SET NECK W/POINT SS
2	-	-	46	07-764726-023	PLATE, ADAPTER MAG/SUC CUP MINI LTBAR

QTY	QTY	QTY	ITEM	PART NUMBER	DESCRIPTION
	*			01-0684730__P	RESPONDER LP, PERMANENT MT
	*			01-0684730__M	RESPONDER LP, MAGNET MT
*				01-0684730__V	RESPONDER LP, SUCTION MT
1	1	1	1	11-381890-000	BASE, HOUSING RESPONDER 2
-	-	1	2	46-076A219-00	HARNESS INPUT RSPNDR LP
1	1	-	3	02-0243725-00	CORD, CIGAR PLUG DUAL SWITCH
1	1	-	4	46-0743503-00	HARNESS INPUT POW. CORD DUAL SW RSPNDR LP
2	2	2	5	13-062C40-16J	SCREW GROMMET, #6/#8 FASTEX
1	1	1	6	26-0115037-04	CABLE CLAMP, 1/4"D, 3/8"W .203" MTG HOLE, BLACK
7	7	7	7	15-081416-060	SCREW, 8 X 3/8 PPHSMS 410 SS TYPE A
2	2	2	8	26-0215001-06	TY WRAP, 6" BLACK
1	1	-	9	39-0403023-04	HOUSING, 3 POS SOCKET COMM MATE-N-LOK
1	1	1	10	11-386602-000	BASE, MTG LIGHTHEADS RESPONDER LP
1	1	1	11	21-11263204-0	GROMMET, 1" SLIM LINE
A/R	A/R	A/R	12	01-026B568-10	SUB ASSY, CON3 HINGE AMB AMP JUSTICE
A/R	A/R	A/R	13	01-026B568-20	SUB ASSY, CON3 HINGE BLUE AMP JUSTICE
A/R	A/R	A/R	14	01-026B568-30	SUB ASSY, CON3 HINGE WHITE AMP JUSTICE
A/R	A/R	A/R	15	01-026B568-40	SUB ASSY, CON3 HINGE GREEN AMP JUSTICE
A/R	A/R	A/R	16	01-026B568-50	SUB ASSY, CON3 HINGE RED AMP JUSTICE
6	6	6	17	14-040285-063	SCREW, 4-40 X 3/8 TORX PH TRLBLR 410 SS, BLK OX
1	1	1	18	01-026A213-00	PCB RESPONDER FLASHER 6 CHANNEL
2	2	2	19	15-081416-080	SCREW, 8 X 1/2 PPHSMS 410 SS
1	1	1	20	46-076A239-00	HARNESS 6 OUTPUT RESPONDER LP
A/R	A/R	A/R	21	26-0215001-03	TY WRAP, 3" BLACK
A/R	A/R	A/R	22	68-2986618-10	DOME, AMB OPTIC RSPNDR LP W/O MTG DETAILS
A/R	A/R	A/R	23	68-2986618-20	DOME, BLU OPTIC RSPNDR LP W/O MTG DETAILS
A/R	A/R	A/R	24	68-2986618-30	DOME, CLR OPTIC RSPNDR LP W/O MTG DETAILS
A/R	A/R	A/R	25	68-2986618-40	DOME, GRN OPTIC RSPNDR LP W/O MTG DETAILS
A/R	A/R	A/R	26	68-2986618-50	DOME, RED OPTIC RSPNDR LP W/O MTG DETAILS
4	4	4	27	15-061416-080	SCREW, 6 X 3/8 PPH PLASTI LOK
4	4	-	28	15-101416-100	SCREW, 10 X 5/8 PPHSMS 410 SS
-	4	-	29	16-1021220-45	WASHER, #10 INT TOOTH LOCK STAINLESS STEEL
-	4	-	30	65-0010191-00	MAGNET, X-50 RSPNDR (RB-50) NICKLE PLATED
-	-	4	31	15-101416-160	SCREW, 10 X 1 PPHSMS TYPE A
-	-	1	32	38-026A402-00	GASKET, MOUNTING RESPONDER 2
2	-	-	33	14-130436-120	SCREW, 1/4-20 X 3/4" HEX HD MS SS
2	-	-	34	16-1302820-06	WASHER, FLAT 1/4" 7/8 OD SS 17/64 ID .056-.070" THK
2	-	-	35	08-1583927-05	SUCTION CUP, MAGNET MOUNT
2	-	-	36	07-76A350-023	PLATE, ADAPTER MAG/SUC. MT BLK RSPNDR LP
2	2	2	37	10-0523326-00	LABEL, M/N RESPONDER LP SERIES
1	1	-	38	10-0322783-02	LABEL, AIRBAG & MAG MT WARNING
1	1	1	39	10-0523370-__	LABEL, MODEL / SERIAL NUMBER



**RESPONDER LP
CONICAL 3 LED**

01-0684730

OUTER DOME COLOR

- A = AMBER
- B = BLUE
- C = CLEAR
- G = GREEN
- R = RED

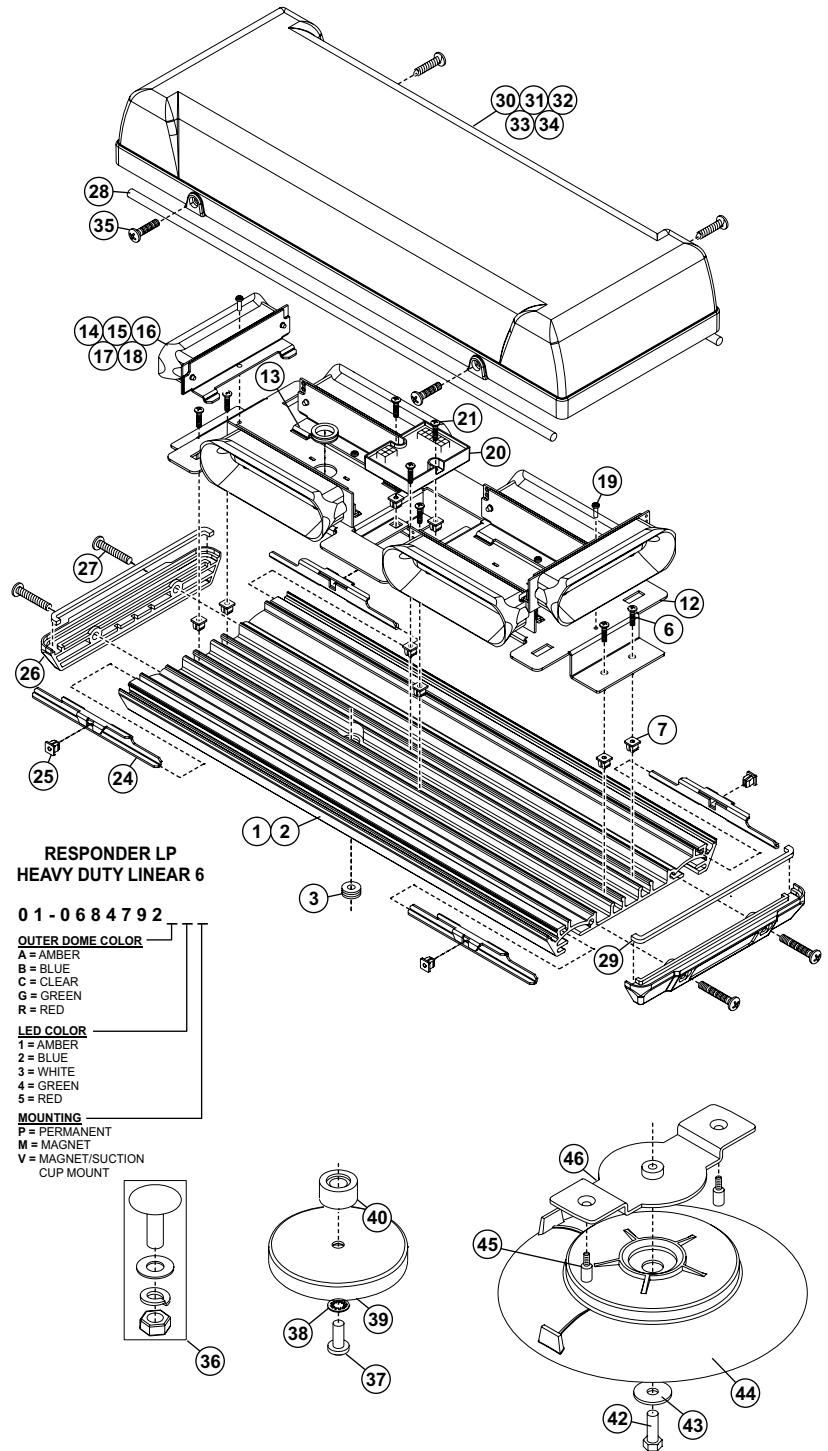
LED COLOR

- 1 = AMBER
- 2 = BLUE
- 3 = WHITE
- 4 = GREEN
- 5 = RED

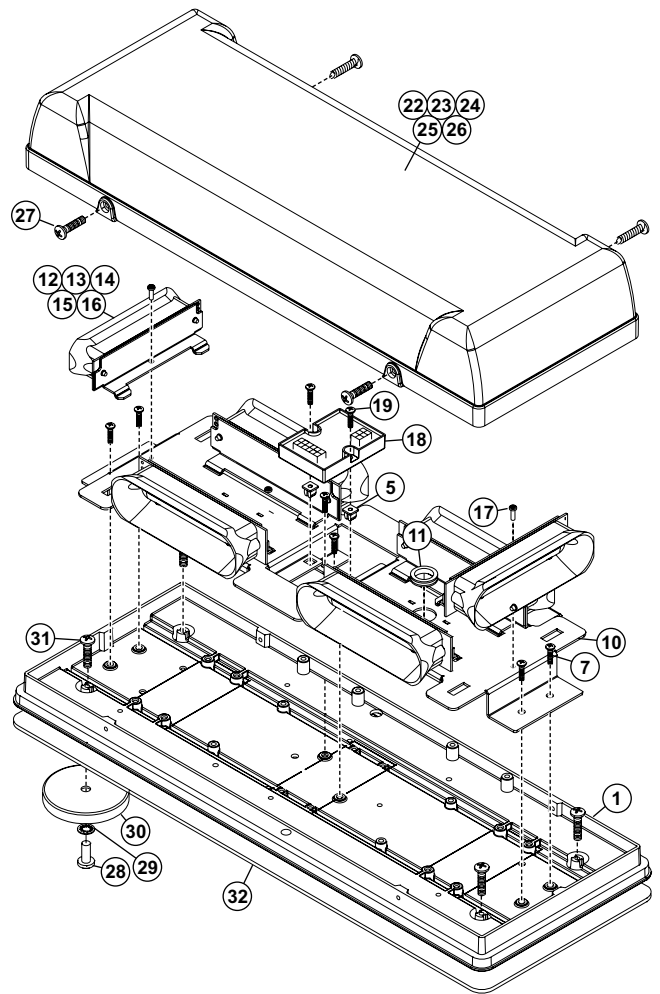
MOUNTING

- P = PERMANENT
- M = MAGNET
- V = MAGNET/SUCTION CUP MOUNT

QTY	QTY	QTY	ITEM	PART NUMBER	DESCRIPTION
	*			01-0684792_P	RESPONDER LP, HEAVY DUTY, PERMANENT MT
	*			01-0684792_M	RESPONDER LP, HEAVY DUTY, MAGNET MT
	*			01-0684792_V	RESPONDER LP, HEAVY DUTY, SUCTION MT
1	-	1	1	11-36A101-002	BASE, 15.88" MACHINED no RIVNUTS LP RESP.
-	1	-	2	11-36A101-001	BASE, 15.88" MACHINED W RIVNUTS LP RESP.
1	1	1	3	21-11101610-0	GROMMET, 5/16 ID X 1/2 HOLE
-	-	1	4	46-076A219-00	ASSY, HARNESS INPUT RESPONDER LP
1	1	-	5	02-0243725-00	CORD, CIGAR PLUG DUAL SWITCH
1	1	-	6	46-0743503-00	HARNESS INPUT POW. CORD DUAL SW RESP LP
9	9	9	7	13-062C40-16J	SCREW GROMMET, #6/#8 FASTEX FASTEX
1	1	1	8	26-0115037-04	CABLE CLAMP, 1/4"D, 3/8"W .203" MTG HOLE, BLK
7	7	7	9	15-081416-060	SCREW, 8 X 3/8 PPHSMS 410 SS TYPE A
2	2	2	10	26-0215001-06	TY WRAP, 6" BLACK
1	1	-	11	39-0403023-04	HOUSING, 3 POS SOCKET COMM MATE-N-LOK
1	1	1	12	11-386602-00	BASE, MTG LTHEADS RSPNDR LP BLK
1	1	1	13	21-11263204-0	GROMMET, 1" SLIM LINE
A/R	A/R	A/R	14	01-026A518-11	ASSY, LIN6 LED 12V AMBER JUSTICE CREE
A/R	A/R	A/R	15	01-026A518-21	ASSY, LIN6 LED 12V BLUE JUSTICE CREE
A/R	A/R	A/R	16	01-026A518-31	ASSY, LIN6 LED 12V WHITE JUSTICE CREE
A/R	A/R	A/R	17	01-026A518-41	ASSY, LIN6 LED 12V GREEN JUSTICE CREE
A/R	A/R	A/R	18	01-026A518-51	ASSY, LIN6 LED 12V RED JUSTICE CREE
6	6	6	19	14-040285-063	SCREW, 4-40 X 3/8 TORX PH TRBLR 410 SS, BLK OX.
1	1	1	20	01-026A213-00	PCB RSPNDR FLASHER 6 CHANNEL
2	2	2	21	15-081416-080	SCREW, 8 X 1/2 PPHSMS 410 SS
1	1	1	22	46-076A239-00	HARNESS 6 OUTPUT RSPNDR LP
A/R	A/R	A/R	23	26-0215001-03	TY WRAP, 3" BLACK
4	4	4	24	07-26A107-000	BRACKET, DOME RESPONDER LP
4	4	4	25	21-1706090300	GROMMET, #6/#8 .265-.286 HOLE, .030 HD HT
2	2	2	26	11-282151-000	ENDCAP, COVER EXTRUSION ECONO LTBAR
4	4	4	27	14-0023347-00	SCREW, 10-24 X 1.25" TX PHD SWEDGE FORM
2.66	2.66	2.66	28	38-0541780-00	GASKET, 25 CORD EPDM SPONGE ECON. BAR
2	2	2	29	38-0143763-00	GASKET, DOME ENDCAP RESPONDER LP
A/R	A/R	A/R	30	68-2986619-10	DOME, AMB NON OPTIC RSPNDR LP no MTG DETAILS
A/R	A/R	A/R	31	68-2986619-20	DOME, BLU NON OPTIC RSPNDR LP no MTG DETAILS
A/R	A/R	A/R	32	68-2986619-30	DOME, CLR NON OPTIC RSPNDR LP no MTG DETAILS
A/R	A/R	A/R	33	68-2986619-40	DOME, GRN NON OPTIC RSPNDR LP no MTG DETAILS
A/R	A/R	A/R	34	68-2986619-50	DOME, RED NON OPTIC RSPNDR LP no MTG DETAILS
4	4	4	35	15-061416-080	SCREW, 6 X 1/2 PPHSMS SS TYPE A
-	-	1	36	01-0441771-02	KIT, EXTR STEP BOLT MT 1-1/4" AUTOBOWL FEEDER
-	4	-	37	14-130216-100	SCREW, 1/4-20 X 5/8 PPHMS
-	4	-	38	16-1321560-02	WASHER, 1/4 INTRNL TOOTH LOCK
-	4	-	39	65-0010192-00	MAGNET, X-80 NEW DMS (RB80) NICKLE PLATED
-	4	-	40	08-0640834-01	PAD, MTG, MAG MOUNT W/.406 DIA THRU HOLE
-	A/R	-	41	66-0715403-00	THREADLOCKER, 242 LOCTITE
2	-	-	42	14-130436-120	SCREW, 1/4-20 X 3/4" HEX HD MS SS
2	-	-	43	16-1302820-06	WASHER, FLAT 1/4" 7/8 OD SS 17/64 ID .056-.070" THK
2	-	-	44	08-1583927-05	SUCTION CUP, MAGNET MOUNT
4	-	-	45	14-130536-12K	SCREW, 1/4-20 X 3/4 SKT HD SET NECK / POINT SS
2	-	-	46	07-764726-023	PLATE, ADAPTER MAG/SUC CUP MINI LTBAR



QTY	QTY	QTY	ITEM	PART NUMBER	DESCRIPTION
		*		01-0686095__P	RESPONDER LP, PERMANENT MT
	*			01-0686095__M	RESPONDER LP, MAGNET MT
*				01-0686095__V	RESPONDER LP, SUCTION MT
1	1	1	1	11-381890-000	BASE, HOUSING RESPONDER 2
-	-	1	2	46-076A219-00	HARNESS INPUT RESPONDER LP
1	1	-	3	02-0243725-00	CORD, CIGAR PLUG DUAL SWITCH
1	1	-	4	46-0743503-00	HARNESS INPUT POW. CORD DUAL SW RSPNDR LP
2	2	2	5	13-062C40-16J	SCREW GROMMET, #6/#8 FASTEX
1	1	1	6	26-0115037-04	CABLE CLAMP, 1/4"D, 3/8"W .203" MTG HOLE, BLK
7	7	7	7	15-081416-060	SCREW, 8 X 3/8 PPHSMS 410 SS TYPE A
2	2	2	8	26-0215001-06	TY WRAP, 6" BLACK
1	1	-	9	39-0402023-04	HOUSING, 2 POS SOCKET COMM MATE-N-LOK
1	1	1	10	11-386602-000	BASE, MTG LIGHHEADS RESPONDER LP
1	1	1	11	21-11263204-0	GROMMET, 1" SLIM LINE
A/R	A/R	A/R	12	01-026A518-12	LIN6 LED 24V AMB JUSTICE CREE
A/R	A/R	A/R	13	01-026A518-22	LIN6 LED 24V BLU JUSTICE CREE
A/R	A/R	A/R	14	01-026A518-32	LIN6 LED 24V WHT JUSTICE CREE
A/R	A/R	A/R	15	01-026A518-42	LIN6 LED 24V GRN JUSTICE CREE
A/R	A/R	A/R	16	01-026A518-52	LIN6 LED 24V RED JUSTICE CREE
6	6	6	17	14-040285-063	SCREW, 4-40 X 3/8 TORX PH TRLBLR 410 SS, BLK OX.
1	1	1	18	01-026A899-00	PCB RSPNDR FLASHER 6 CHANNEL
2	2	2	19	15-081416-080	SCREW, 8 X 1/2 PPHSMS 410 SS
1	1	1	20	46-076A239-00	HARNESS 6 OUTPUT RESPONDER LP
A/R	A/R	A/R	21	26-0215001-03	TY WRAP, 3" BLACK
A/R	A/R	A/R	22	68-2986619-10	DOME, AMB NO-OPTIC RSPNDR LP no MTG DETAILS
A/R	A/R	A/R	23	68-2986619-20	DOME, BLU NO-OPTIC RSPNDR LP no MTG DETAILS
A/R	A/R	A/R	24	68-2986619-30	DOME, CLR NO-OPTIC RSPNDR LP no MTG DETAILS
A/R	A/R	A/R	25	68-2986619-40	DOME, GRN NO-OPTIC RSPNDR LP no MTG DETAILS
A/R	A/R	A/R	26	68-2986619-50	DOME, RED NO-OPTIC RSPNDR LP no MTG DETAILS
4	4	4	27	15-061416-080	SCREW, 6 X 3/8 PPH PLASTI LOK
4	4	-	28	15-101416-100	SCREW, 10 X 5/8 PPHSMS 410 SS
-	4	-	29	16-1021220-45	WASHER, #10 INT TOOTH LOCK STAINLESS STEEL
-	4	-	30	65-0010191-00	MAGNET, X-50 RSPNDR (RB-50) NICKLE PLATED
-	-	4	31	15-101416-160	SCREW, 10 X 1 PPHSMS TYPE A
-	-	1	32	38-026A402-00	GASKET, MOUNTING RESPONDER 2
2	-	-	33	14-130436-120	SCREW, 1/4-20 X 3/4" HEX HD MS SS
2	-	-	34	16-1302820-06	WASHER, FLAT 1/4" 7/8 OD SS 17/64 ID .056-.070" THK
2	-	-	35	08-1583927-05	SUCTION CUP, MAGNET MOUNT
2	-	-	36	07-76A350-023	PLATE, ADAPT. MAG/SUC MT BLK RSPNDR LP



**RESPONDER LP
HEAVY DUTY LINEAR 6**

01-0686095

OUTER DOME COLOR
A = AMBER
B = BLUE
C = CLEAR
G = GREEN
R = RED

LED COLOR
1 = AMBER
2 = BLUE
3 = WHITE
4 = GREEN
5 = RED

MOUNTING
P = PERMANENT
M = MAGNET
V = MAGNET/SUCTION
CUP MOUNT

