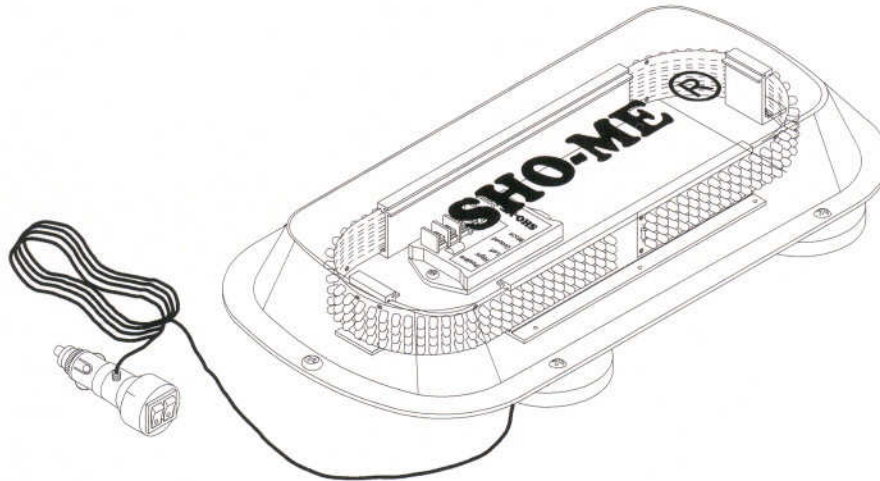


SHO-ME®
MODEL NO.11.1200.008
Magnetic Mount Low Profile
LED Mini Bar



GENERAL INFORMATION:

The **SHO-ME**® Low Profile LED Mini Bar is equipped with a Solid State Flasher. The flasher has 7 flash patterns including random. To change flash pattern, press the momentary switch (**Located on the lighter plug adaptor**). Each time the momentary switch is pressed, the flash pattern will change.

FLASH PATTERNS

Double Alternating
Quad Alternating
Quint Alternating
Mega Alternating

Double Simultaneous
Quad Simultaneous
Random

INSTALLATION INSTRUCTIONS:

Determine location to mount your Low Profile LED Mini Light Bar. Do not install this product or route any wires in the deployment area of your air bag. Equipment mounted or located in the air bag deployment area will damage or reduce the effectiveness of the air bag, or become a projectile that could cause serious personal injury or death. Refer to your vehicle owners manual for the air bag deployment area. The User/Installer assumes full responsibility to determine proper mounting location, based on providing ultimate safety to all passengers inside the vehicle.

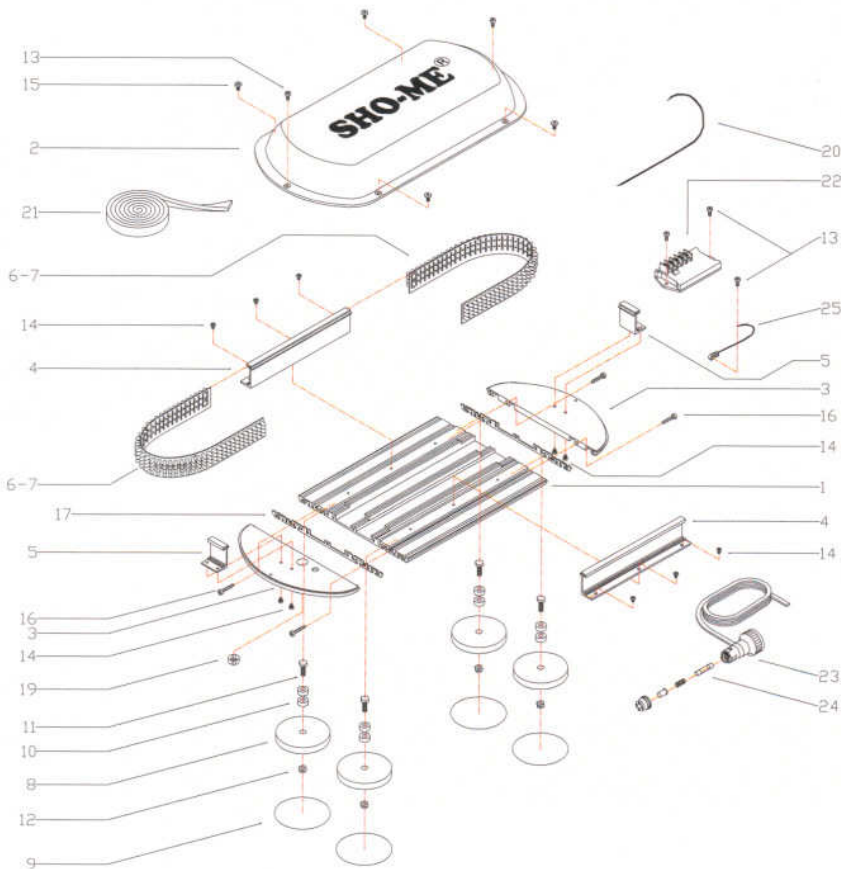
WARNING: The steel content of vehicle roofs varies considerably and some may not be suitable for mounting warning lights with magnetic bases. **It is the sole responsibility of the users** of magnetic based lights to determine if portable warning lights may be safely used on the exterior of their vehicle.

If mounting this product requires drilling holes, the installer **MUST** be sure that no vehicle components or other vital parts could be damaged by the drilling process. Check both sides of the mounting surface before drilling begins. Also de-burr any holes and remove any metal shards or remnants. Install grommets into all wire passage holes.

Use only soap and water to clean the outer lens. Use of other chemicals could result in premature lens cracking (crazing) and discoloration. Lenses in this condition have significantly reduced effectiveness. Inspect and operate this product regularly to confirm its proper operation and mounting condition. Do not use a pressure washer to clean this product.



PRODUCTS COMPANY • 804 East Hwy. 248 • Cassville, MO 65625
U.S. and Canada Toll Free Numbers • Phone: 800-641-4098 FAX: 800-526-1240
E-mail: sales@able2products.com WEB: www.able2products.com



Parts List for 11.1200.008

Low Profile LED Mini Bar Portable

ITEM	MODEL NO.	DESCRIPTION	QTY
1	90.4986.000	Main Alu Extrusion	1
2	90.6127.C00	Clear Lexan Cover	1
3	90.6125.000	Black Plastic Endcaps	2
4	90.6938.000	Long Black Plastic LED mount	2
5	90.6931.000	Short Black Plastic LED mount	2
6	90.3750.(R/A)00	Red/Amber LED Board	2
7	90.3751.B00	Blue/White LED Board	2
8	90.4250.000	3/4" Do-Nut Magnet	4
9	90.6140.000	3.200 Diameter Vinyl Discs White	4
10	90.6919.000	Spacer .250 X .562 X .250	8
11	90.4490.000	1/4 -20 X 3/4 Hex Hd Bolt SS	4
12	90.4150.000	Magnet Mount Nylon Insert Nut	4
13	90.4002.000	#8 X 1/2 812 Self Tapping Screw	9
14	90.4072.000	Small Black Screw	10
15	90.4002	10MM Wide Head Screw	4
16	90.4021.SS	Endcap Self Tapping Screws	4
17	90.6773	Endcap Gasket	2
19	90.6880.000	Gromet	1
20	41.0181.010	18 GA RVI Wire 15" (specify color)	6
21	90.6039.000	1/6" X 3/4" Black Foam Adhesive 50"	1
22	11.1005.TSF	Solid State Random LED Flasher	1
23	90.3281.000	Cigarette Power and Mode Switch	1
24	76.0005.AGC	5 Amp Fuse	1
25	61.0651.000	7" Cable Ties	5

LIMITED WARRANTY

Able 2 Products Company warrants each new product (except bulbs and strobe tubes) to be free from defects in material and workmanship for a period of two years from the date of purchase. During this warranty period, the obligation of Able 2 is limited to repairing or replacing, as Able 2 may elect, any part or parts, which after examination by Able 2 are determined to be defective, when they are delivered pre-paid. This limited warranty does not cover travel expense, the cost of specialized equipment for gaining access to the product, or labor charges for the removal and re-installation of the product.

Able 2 Products Company shall not be liable for incidental or consequential damages, including but not limited to: Loss of use of vehicle, Rental of substitute vehicle, Loss of time, Loss of work, Inconvenience, Transportation expenses, Telephone, Lodging, Loss of revenue, Loss of and/or damage to personal property for or arising out of breach of any express or implied warranty of its products.

Use of lamp or other electrical load of a wattage higher than installed or recommended by the factory, or use of inappropriate or inadequate wiring or circuit protection causes this limited warranty to become void. Able 2 Products Company will in no way be liable for any loss of profits or any indirect or consequential damages arising out of any such defect in material and workmanship whether loss is due to negligence or breach of warranty. This limited warranty does not apply to shipping damage, accident, alteration, tampering, misuse or abuse and unauthorized service.

This limited warranty is expressly in lieu of all other express or implied warranties, including the implied warranty of merchantability and the implied warranty of fitness for a particular purpose, and of all other obligations or liabilities on the part of Able 2 Products Company. There are no warranties, unless expressed in authorized Able 2 literature, which extend beyond the description of the face hereof. No dealer, distributor, employee, or representative of the company is authorized to change this warranty in any way or to grant any other warranty.

PRODUCT RETURNS

If a product must be returned, contact our factory by calling 1-800-641-4098 to obtain a Return Authorization Number (RA) before you ship the product. Write the RA Number clearly on the package and return it to Able 2 Products Company, P.O. Box 543, 804 E. Hwy. 248, Cassville, MO 65625-0543. A packing slip should be included with all shipments listing the sender's name, address, daytime phone number and description of defect. Your product will be put in first-class operating condition or replaced with a new part, and returned pre-paid.