

# L21 Series

360° ENCAPSULATED UNIFORM INTENSITY SUPER-LED® BEACONS

BEACONS



**Certified SAE Class I beacons have a rated life that exceeds comparable flash tubes by more than 50:1.**

The L21 utilizes new Broadband Energy Radiator™ Technology (patent pending). Solid-state beacons resemble traditional strobe beacons but have greater light output, lower amp draw, and longer life. These beacons feature generation 3.5 LED technology that rivals strobe in power.

L21LCP  
Polycarbonate base, low dome.



L21HRP  
Polycarbonate base, high dome.



L21HAM  
Magnetic mount, high dome.



Cutaway showing encapsulation & light tower.



L21, high and low dome mirror mounts.



## FEATURES

- Fully encapsulated electronics are moisture and vibration resistant.
- Certified SAE J845 Class, Class I 360° (amber).
- Select 12 or 24 VDC.
- 100,000 hour rated life.
- SmartLED® beacon design.
- High or low dome.
- Five-year warranty.
- Low current draw: 1.5 amp (peak), 0.6 amp (average) @12.8 VDC.
- Polycarbonate or cast aluminum base.
- Virtually no EMI radiation.

## PERMANENT MOUNT MODELS

- Permanent mount features 24 Scan-Lock™ alternating and simultaneous flash patterns plus steady-burn.
- Combination mounting: 1" pipe, permanent or J-hook.
- Supplied with 6" pigtail.
- Synchronize with up to 8 beacons.
- Photocell Hi/Low mode available (contact factory).

## MAGNETIC & MAGNETIC/SUCTION MOUNT MODELS

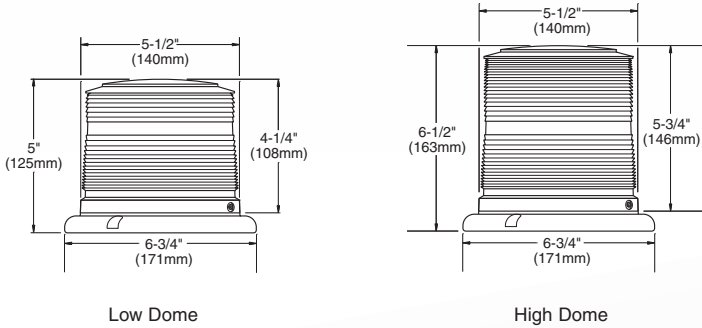
- 75 SignalAlert™ flashes per minute standard.
- Supplied with 10' straight cord and cigar plug with LED "ON" indicator On/Off switch and pattern selection switch.
- 12 VDC models.
- 80 lb. magnetic mounting base.
- Magnetic and magnetic/suction mount models do not include cruise light, low power or SYNC functions.



Available in Red, Amber, Green, White/Clear and Blue

# WHELEN®

# L21 Series Beacon



## L21 BEACONS HIGH DOME MODELS

- L21H\*P.....Combination mount, polycarbonate base, 12 VDC
- L21H\*M.....Magnetic mount, polycarbonate base, 12 VDC
- L21H\*V.....Magnetic/suction mount, polycarbonate base, 12 VDC
- L21H\*P4.....Combination mount, polycarbonate base, 24 VDC
- L21H\*C.....Combination mount, cast aluminum base, 12 VDC
- L21H\*C4.....Combination mount, cast aluminum base, 24 VDC

## L21 BEACONS LOW DOME MODELS

- L21L\*P.....Combination mount, polycarbonate base, 12 VDC
- L21L\*M.....Magnetic mount, polycarbonate base, 12 VDC
- L21L\*V.....Magnetic/suction mount, polycarbonate base, 12 VDC
- L21L\*P4.....Combination mount, polycarbonate base, 24 VDC
- L21L\*C.....Combination mount, cast aluminum base, 12 VDC
- L21L\*C4.....Combination mount, cast aluminum base, 24 VDC

## L21 OPTIONS

- MIRROR20.....Mirror mount bracket
- BBKT20.....Shelf mount bracket for L20/2500/2000 Series, stainless steel, mounts to flat verticle surface

A = Amber LED and amber dome B = Blue LED and blue dome C = White LED and clear dome  
 R = Red LED and red dome 1 = Amber LED and clear dome 2 = Blue LED and clear dome  
 5 = Red LED and clear dome

## REPLACEMENT PARTS

- DH2000\*.....High Dome
- DL2000\*.....Low Dome

Replace (\*) in model number with letter indicating color choice: A = Amber, B = Blue, C = White/Clear, R = Red.

**Magnetic and magnetic/suction mount models do not include cruise light, low power or SYNC functions.**

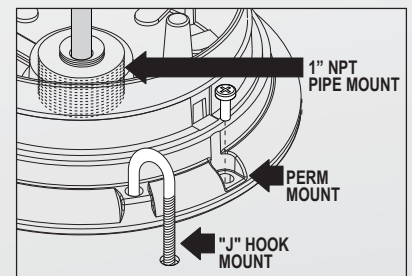
NOTE: The use of any magnetic or magnetic/suction mounted warning beacon on the vehicle while in motion, is at the discretion and risk of the user.

## Available Scan-Lock™ Flash Patterns

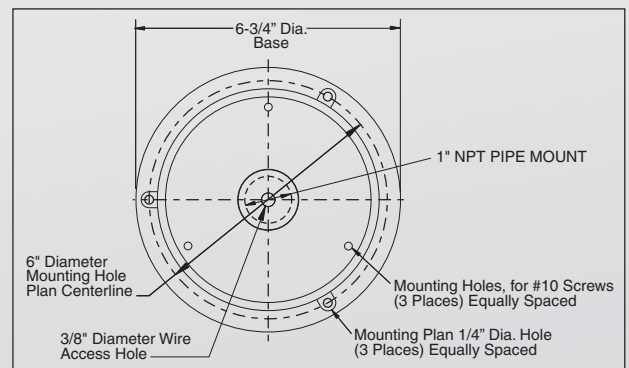
### L21 (24 patterns)

- SignalAlert™ 75 (Phase 1)
- SignalAlert 75 (Phase 2)
- CometFlash® 75 (Phase 1)
- CometFlash 75 (Phase 2)
- DoubleFlash 75 (Phase 1)
- DoubleFlash 75 (Phase 2)
- SingleFlash 75 (Phase 1)
- SingleFlash 75 (Phase 2)
- ComAlert™ 75 (Phase 1)
- ComAlert 75 (Phase 2)
- LongBurst™ 75 (Phase 1)
- LongBurst 75 (Phase 2)
- PingPong™ 75 (Phase 1)
- PingPong 75 (Phase 2)
- SingleFlash 60
- SingleFlash 90
- SingleFlash 120
- SingleFlash 300
- DoubleFlash 150
- ComAlert 150
- ActionFlash™ 1
- ActionFlash 2
- ModuFlash™
- ActionScan™
- Steady

Scan-Lock allows you to choose between available flash patterns.



Combination Mounting



**WHELEN®**  
 ENGINEERING COMPANY, INC.

51 Winthrop Road  
 Chester, Connecticut 06412-0684  
 (860) 526-9504 • Fax: (860) 526-4078  
 www.whelen.com

Whelen Engineering reserves the right to upgrade and improve products without notice.  
 © 2010 Whelen Engineering Company, Inc. Printed in U.S.A.  
 NASCAR® is a registered trademark of the National Association for Stock Car Auto Racing, Inc.  
 Code No. 11700K - 08/10