

PCCS9 Series

NINE SWITCH POWER CONTROL CENTERS, HIGH & LOW CURRENT



PCCS9NP



PCCS9R

Reduced size power control switch centers designed to control all types of lightbar and emergency signaling functions.

Available with or without built-in relays.

Model PCCS9NP Series directly interfaces with Whelen Edge® Series lightbars that include relay matrix assemblies, or Edge® Ultra LC Series, 9M Series and LFL LC Series.

Small diameter, 22 gauge, output wires reduce cable size to switch remote relays (not included) for proper operation of lighting and signaling devices.

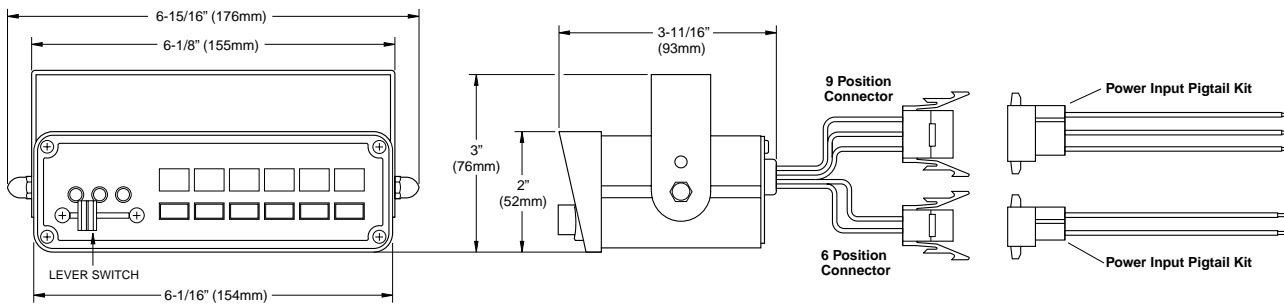
Model PCCS9R Series, with nine built-in 30 amp relays, connects directly to most rotary or strobe lightbars without requiring separately mounted relays or relay boxes. An 8-position, 20-amp spade-type fuse assembly is easily accessible. A 12-position rear chassis mounted output connector provides ease of installation and maintenance.

FEATURES

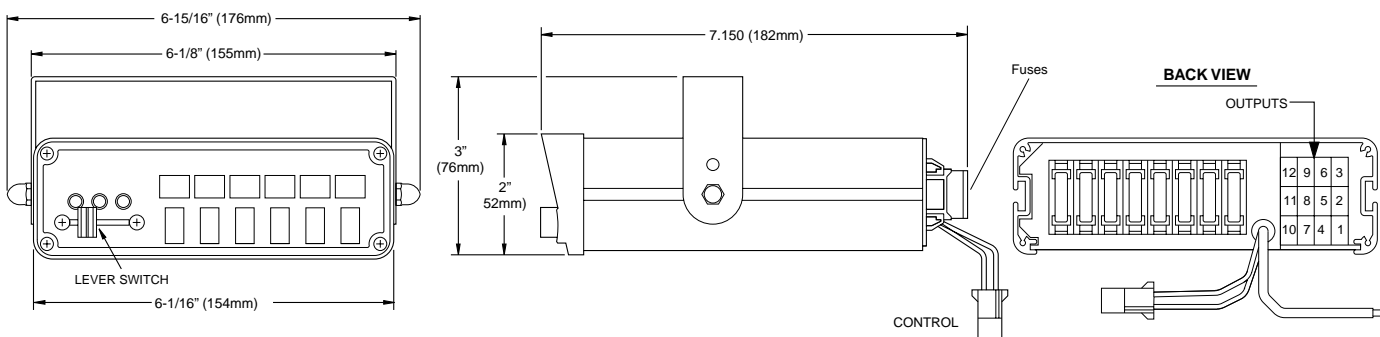
- Control 9 different lightbar functions.
- 3 models: with or without built-in relays.
- 4 position, 3 level slide switch with 3 different colored LED indicators for 3 separate primary warning light controls. Auxiliary input on slide switch, position 3.
- 6 push button type switches, for secondary lightbar functions.
- Two models (PCCS9NP/S9R) offer momentary contact switch, on the 6th push button switch for strobe low power, trunk lock or gun lock control. PCCS9R1 offers six on/off push buttons.
- Backlighted legend windows switch to from green to red when switch is engaged for easy identification of switch in use.
- 72 commonly used press-on legend tabs standard.
- All aluminum extruded housing.
- Individual fused outputs on Models PCCS9R / PCCS9R1.
- Low profile, designed to stack mount with the WS295 Series Siren amplifiers or Traffic Advisor™ Control Head.
- Universal bail bracket for mounting to almost any location.

PCCS9 SPECIFICATIONS

PCCS9NP



PCCS9R / PCCS9R1



MODELS

PCCS9NP

Programmable low current control switch center for use with relay matrix of Edge® 9M, Edge® Ultra LC, Edge® LFL (Patriot, Liberty) LC & other matrix board style lightbars with low current switching. For lightbars that utilize high current switching, use customer supplied relays. Four position slide switch, five push-on/push-off switches and a momentary push on-off switch. Replaces PCCS9N & PCCS9N1.

Custom Dip Switch Configuration (PCCS9NP Only, Dip Switch Bank 4): Push button 9 (momentary switch) can function in 4 different modes, defined by the 4-position dip switch bank 4. This bank is located on top of the circuit board and is only accessible with the cover removed from the PCCS9NP.

Mode 1 (default) - The output is activated for as long as push-button 9 is depressed.

Mode 2 - When the push-button 9 is pressed, the output is activated for a period of 8 seconds.

Mode 3 - When push-button 9 is pressed, the output is activated. When pressed again, the output is deactivated.

Mode 4 - When push-button 9 is pressed, the output is activated for a period of 400ms. After 400ms, the output is deactivated for 400ms. This cycle will continue until push-button 9 is pressed again.

Note: Dip Switch 1 is used to enable/disable the Aux Siren (WHT/GRN) wire. In the default position (ON) this wire is enabled. Moving Dip Switch 1 to the OFF position will disable this wire. This switch should be left in the default position. If this wire is not used, exposed wire strands should be cut flush with the insulation.

PCCS9R

High Current switch control center with built-in relays for Edge® 9404, 9406 & 9438 Series (Standard Switching). Four position slide switch and five push-on/push-off switches and one momentary push on-off switch. Nine built-in 30 amp relays. Connects to most rotating or strobe lightbars without the use of separately mounted relays or relay boxes.

PCCS9R1

Same as PCCS9R, except six push-on/push-off buttons. Switch Control with Built-in Relays, with all 6 Push-On/Push-Off Switches.



Typical police car multi-unit console with a Whelen 295HFS A1 and a PCCS9R included.



Route 145, Winthrop Road
 Chester, Connecticut 06412-0684
 (860) 526-9504 • Fax: (860) 526-4078
 Internet: www.whelen.com



Whelen Engineering reserves the right to upgrade and improve products without notice.